



Miniature Circuit Breakers & Residual Current Devices

BKN / BKN-b / BKN-c / BKH / BKP / BFN /
RKN / RKN-b / RKS / RKS-b / RKC / RKP / 32KGR / 32GRh / BS

MCB



Miniature Circuit Breakers & Residual Current Devices



Contents :



Quick selection table

- MCB	6
- RCBO	8
- RCCB	9
- Isolators	9

Main characteristics

MCB-Miniature circuit breakers

- BKP, BKN, BKN-b, BKN-c, BKH, BFN	10
------------------------------------	----

RCBO-Residual current circuit breakers with overcurrent protection

- RKP, RKS, RKS-b, RKC, 32KGR, 32GRh, BS	28
--	----

RCCB-Residual current circuit breakers

- RKN, RKN-b	37
--------------	----

Isolator

- BKD	41
-------	----

60mm depth miniature circuit breakers

- BF-a, BF-c	42
--------------	----

Standard busbars

44

Characteristics curves & temperature compensation 45

Overall dimensions

- BKN, BKN-c, BKN-b, BKH	48
- BKP, BFN, RKP, 32KGR	49
- RKS, RKS-b, RKC, RKN, RKN-b	50
- BKD, BF-a, BF-c, 32GRhc/d	51
- BS32, BKN AX/AL, BKN-b AX/AL,	52
- SHT, UVT/OVT	53



Environmental policy and

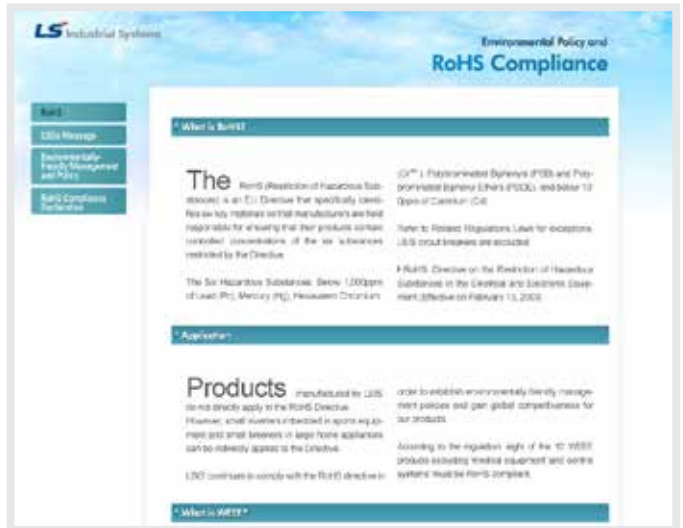
RoHS compliance

What is RoHS?

The RoHS (Restriction of Hazardous Substances) is an EU Directive that specifically identifies six key materials so that manufacturers are held responsible for ensuring that their products contain controlled concentrations of the six substances restricted by the Directive.

The Six Hazardous Substances: Below 1,000ppm of Lead (Pb), Mercury (Hg), Hexavalent Chromium (Cr+6), Polybrominated Biphenyls (PBB) and Polybrominated Biphenyl Ethers (PBDE), and below 100ppm of Cadmium (Cd).

► **RoHS : Directive on the Restriction of Hazardous Substances in the Electronic Equipment (Effective on February 13, 2003)**



Application

Products manufactured by LSIS do not directly apply to the RoHS Directive.

However, small inverters imbedded in sport equipment and small breakers in large home appliances can be indirectly applied to the Directive.

LSIS continues to comply with the RoHS directive in order to establish environmentally Friendly management policies and global competitiveness for our products.

According to the Law, eight of the 10 WEEE products excluding 'medical equipment' and 'control systems' must be RoHS compliant.



Declaration of RoHS Compliance

LSIS Co., Ltd
LS tower, 127, LS-ro, Dongan-gu,
Anyang-si, Gyeonggi-do 431-848, Korea

Do hereby confirm that

With relevance of the EU Directive 2011/65/EU on the Restriction of the use of certain Hazardous Substances in electrical and electronic equipment –RoHS , our listed products do not contain any of the following banned substances listed below :

Lead
Mercury
Cadmium
Hexavalent Chromium
Polybrominated Biphenyls (PBB)
Polybrominated Diphenyl Ethers (PBDE)

The following products sold as of July 1, 2006 will be RoHS compliant.

Products Note)

Molded Case Circuit Breaker (MCCB)
Miniature Circuit breaker (MCB)
Earth Leakage Circuit Breaker (ELCB)
Residual Current Circuit Breaker (RCCB)
Residual Current Circuit Breaker with overcurrent protection (RCBO)
Magnetic Switch (MC,TOR)
Manual Motor Starter (MMS)
Protection & Measurement device
Programmable Logic Controller (PLC)
Air Circuit Breakers (ACB)
Surge Protective Device (SPD)
Human Machine Interface (HMI)
Variable Frequency Drive (AC Driver)
Inverter (PCU) GEI Series
EV Relay GER Series

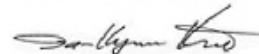
Note) Please visit www.lsis.com and see "RoHS Compliance" menu to verify the specification of each product's "RoHS Compliance"

Firstly notified date: April 4, 2006

LSIS



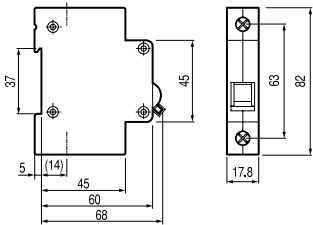
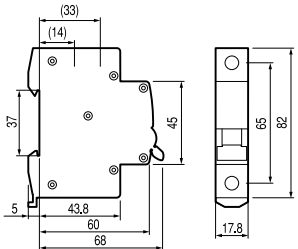
February 2, 2015

Chairman & CEO
Ja-Kyun Koo



Miniature circuit breakers

1, 2, 3 and 4Pole Series up to 125AF [IEC 60898, IEC 60947-2]

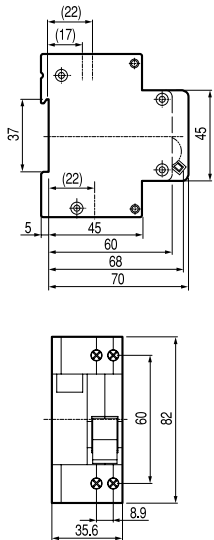
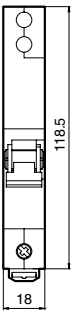
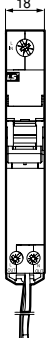
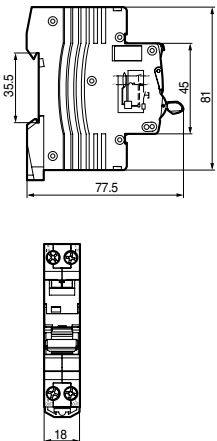
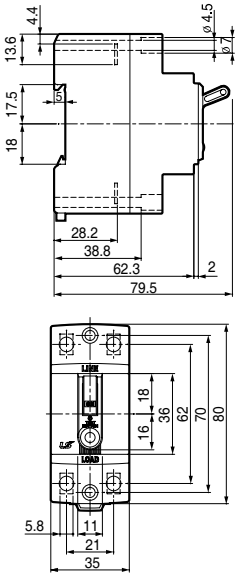
Type	MCB			
	BKN	BKN-c	BKN-b	
Protection	Overload and short circuit		Overload and short circuit	
Rated current	1, 2, 3, 4, 6, 10, 13, 16, 20, 25, 32, 40, 50, 63A		1, 2, 3, 4, 6, 10, 16, 20, 25, 32, 40, 50, 63A	
Characteristic	B, C, D curve	B, C, curve	B, C, D curve	
Poles	1P, 1P+N, 2P, 3P, 3P+N, 4P	1P, 2P, 3P, 4P	1P, 1P+N, 2P, 3P, 3P+N, 4P	
Breaking capacity	1pole	2~4pole	1pole	2~4pole
	1A ~ 63A 6kA at 230/400VAC (NF: 4.5kA)	1A ~ 63A 6kA at 400VAC	1A ~ 63A 10kA at 240/415VAC	1A ~ 63A 10kA at 415VAC
Standard	IEC 60898		IEC 60898	
Approval	CCC, SABS, SEMKO CB, NF	SEMKO CB	KEMA CB, SABS, UL 1077 † CE	
Type of trip	Thermal magnetic release		Thermal magnetic release	
Endurance	Electrical	4,000 operations		
	Mechanical	10,000 operations		
Mount	On 35mm DIN rail		On 35mm DIN rail	
Width	17.8mm per pole		17.8mm per pole	
Terminal	Lug type(cable up to 25mm ²)	Dual type(Lug & Screw)	Lug type(cable up to 25mm ²)	
Auxiliary switch, AX & AL Optional	 <p>1 changeover contact 6A at 240VAC, 3A at 415VAC(AX) 6A at 230VAC, 3A at 415VAC(AL) 2A at 48VDC, 1A at 125VDC Lug terminal Cable capacity 2.5mm² 9mm wide *Only for BKN</p>		 <p>1 changeover contact 6A at 240VAC, 3A at 415VAC(AX/AL) 6A at 24VDC, 2A at 48VDC, 1A at 130VDC Lug terminal cable capacity 0.75~2.5mm² 8.8mm wide</p>	
Dimension				
Characteristic curve	See page 45		See page 45	
Remarks			UL 1077 † (240V 10kA)	



MCB							
BKH		BKP		BF-a	BF-c	BFN	
Overload and short circuit		Overload and short circuit		Overload and short circuit		Overload and short circuit	
63, 80, 100, 125A		3, 6, 10, 16, 20, 25, 32A		10~100A		5, 10, 15, 20, 30, 40, 50A	
C, D curve		B, C, D curve					
1P, 2P, 3P, 3P+N, 4P		1P+N		1P, 2P, 3P		1P, 2P, 3P	
1pole	2~4pole					1pole	2~3pole
63A ~ 125A 10kA at 230/400VAC	63A ~ 125A 10kA at 400VAC	3A ~ 32A 4.5kA at 230VAC (NF: 3kA)		10A~100A 10kA at 240VAC 2.5kA at 415VAC	10A~100A 5kA at 240VAC 2.5kA at 415VAC	5A ~ 50A 10kA at 230VAC	5A ~ 50A 10kA at 400VAC
IEC 60947-2		IEC 60898		IEC 60947-2		IEC 60947-2	
CCC, SEMKO CB, SABS, CE		CCC, SEMKO CB, NF, SABS, CE				SEMKO CB, CE	
Thermal magnetic release		Thermal magnetic release		Thermal magnetic release		Thermal magnetic release	
1,500 operations		4,000 operations		1,500 operations		1,500 operations	
10,000 operations		10,000 operations		10,000 operations		10,000 operations	
On 35mm DIN rail		On 35mm DIN rail		Holder mounting (Bolt on with fixing brackets)		Plug-in	
27mm per pole		17.8mm		25mm per pole		25mm per pole	
Lug type(cable up to 50mm ²)		Lug type(cable up to 10mm ²)		Clamp type		Lug type (14-6 AWG.)	
See page 45		See page 45		See page 46		See page 47	
IEC 60947-2 (SABS)							

Residual current circuit breakers

1, 2 and 4pole series up to 125AF

Type	RCBO				
	RKP	RKS	RKS-b	RKC	32KGRc 32KGRd
Protection	Ground fault and overcurrent	Ground fault and overcurrent		Ground fault and overcurrent	Ground fault and overcurrent
Rated current, I _n	3(C, D curve), 6, 10, 16, 20, 25, 32A (B, C, D curve)	6, 10, 16, 20, 25, 32A (40, 50A) * (B, C curve)		6, 10, 16, 20, 25, 32A (B, C curve)	15, 20, 30A
Rated residual current					
Operating, I _{Δn}	30, 100, 300mA(non-adjustable)	30, 100mA (non-adjustable)		10, 30mA(non-adjustable)	15, 30mA(non-adjustable)
Non-operating, I _{Δno}	0.5I _{Δn}	0.5I _{Δn}		0.5I _{Δn}	0.5I _{Δn}
Poles	1P+N	1P+N		1P+N	2pole
Rated voltage	230VAC	230VAC	240VAC	240VAC	110/220VAC
Residual current off-time	≤0.1 sec.	≤0.3sec.		≤0.01 sec.	≤0.03 sec.
Standard	IEC 61009	IEC 61009		IEC 61009	IEC 61009, KS
Approval	CCC, SEMKO CB, CE, SABS	SEMKO CB, CE, SABS	SEMKO CB, CE	BV CB	CCC
Type of trip					
Ground fault	Electronic	Electronic		Electronic	Electronic
Overcurrent	Thermal-magnetic	Thermal-magnetic		Thermal-magnetic	Bimetallic
Breaking capacity	4.5kA	10kA		6kA (32A 4.5kA)	1.5kA 2.5kA
Conditional short circuit capacity	-	-		-	-
Endurance Electrical	4,000 operations	4,000 operations		4,000 operations	4,000 operations
Mechanical	10,000 operations	10,000 operations		10,000 operations	10,000 operations
Mount	On 35mm DIN rail	On 35mm DIN rail		On 35mm DIN rail	On 35mm DIN rail / Screw
Width	35.6mm	18mm		18mm	35mm
Terminal	Lug type(cable up to 10mm ²)	Lug type(cable up to 10mm ²)		Lug type(cable up to 10mm ²)	Screw clamp type(cable up to 5.5mm ²)
Type of operation	AC	AC		A/AC	-
Dimension					
Characteristic curve	See page 45	See page 45		See page 45	See page 45

* 40, 50A are available only for RKS-b



		RCCB				Isolator	
32GRhc	32GRhd	BS32c	BS32d	RKN	RKN-b		BKD
Ground fault and overcurrent		Ground fault and overcurrent		Ground fault			-
15, 20, 30A		6, 10, 15, 20, 30A	10, 15, 20, 30A	25, 32, 40, 63A	63AF 25, 40, 63	100AF 80, 100A	63, 80, 100, 125A
15, 30mA(non-adjustable)		15, 30mA(non-adjustable)		30, 100, 300mA(non-adjustable)			-
0.5I _{Δn}		0.5I _{Δn}		0.5I _{Δn}			-
2pole		2pole		1P+N, 3P+N			1p, 2p, 3p, 4p
110/220VAC		110/220VAC		240VAC(1P+N), 240/415V(3P+N)			230/400VAC
≤0.03 sec.		≤0.03 sec.		≤0.1 sec.			-
KS		IEC 60898, KS		IEC 61008			IEC 60947-3
-		CCC		SEMKO CB, CE, NF, SABS, CCC	SEMKO CB, CE, SABS		SABS, SEMKO CB
Electronic		Electronic		Electro-magnetic			-
Bimetallic		Bimetallic		N.A			-
1.5kA	2.5kA	1.5kA	2.5kA	-		-	
-		-		6kA	10kA		-
4,000 operations		4,000 operations		4,000 operations			1,500 operations (125A 1,000 operations)
10,000 operations		10,000 operations		10,000 operations			10,000 operations
On 35mm DIN rail / Screw		DIN rail / Screw		On 35mm DIN rail			On 35mm DIN rail
33mm		33mm		-			17.8mm per pole
Screw clamp type(cable up to 5.5mm ²)		Screw clamp type(cable up to 5.5mm ²)		Lug type(cable up to 35mm ²)			Lug type(cable up to 50mm ²)
-		-		A/AC	A/AC	AC	-
See page 46		See page 47					

Miniature circuit breakers

DIN rail mounting

CE 4500

BKP type



BKP 1P+N

Certificate
CE

Technical data

Standard	Confirming to IEC60898
Approval	CCC, SEMKO CB, CE, SABS
Protection	Overload and short circuit
Rated current In	3, 6, 10, 16, 20, 25, 32A
Rated voltage	230VAC
Breaking capacity	4.5kA
Characteristic	B, C, D curve
Number of poles	1P+N
Type of trip	Thermal magnetic release
Type of terminal	Lug type
Terminal capacity	Cables up to 10mm ²
Installation	Mounting on 35mm DIN rail
Width	17.8mm per pole
Electrical endurance	4,000 operations

Catalog No.

Pole	Type	In	Model	Catalog No.	Pack. unit (Pcs.)	PRICE	
1P+N	B curve	3A	BKP B3A	06120302R0	120		
		6A	BKP B6A	06120228R0	120		
		10A	BKP B10A	06120229R0	120		
		16A	BKP B16A	06120230R0	120		
		20A	BKP B20A	06120231R0	120		
		25A	BKP B25A	06120303R0	120		
	C curve	32A	BKP B32A	06120232R0	120		
			3A	BKP C3A	06120307R0	120	
			6A	BKP C6A	06120235R0	120	
			10A	BKP C10A	06120236R0	120	
			16A	BKP C16A	06120237R0	120	
			20A	BKP C20A	06120238R0	120	
D curve	25A	BKP C25A	06120309R0	120			
		32A	BKP C32A	06120239R0	120		
		3A	BKP D3A	06120308R0	120		
		6A	BKP D6A	06120242R0	120		
		10A	BKP D10A	06120243R0	120		
		16A	BKP D16A	06120244R0	120		
	20A	BKP D20A	06120245R0	120			
		25A	BKP D25A	06120311R0	120		
		32A	BKP D32A	06120246R0	120		

BKN type



BKN 2P

Certificate
CE

Technical data

Standard	Confirming to IEC60898	
Approval	CCC, SABS, SEMKO CB, CE	
Protection	Against overload and short circuit	
Rated current In	1, 2, 3, 4, 6, 10, 13, 16, 20, 25, 32, 40, 50, 63A	
Rated voltage	1pole 230/400VAC 50/60Hz 2, 3, 4pole 400VAC 50/60Hz	
Breaking capacity	6kA	
Characteristic	B, C, D curve	
Number of poles	1P, 1P+N, 2P, 3P, 3P+N and 4P	
Type of trip	Thermal-magnetic release	
Type of terminal	Lug type	
Terminal capacity	Cables up to 25mm ²	
Installation	Mounting on 35mm DIN rail	
Width	17.8mm per pole	
Electrical endurance		
In	1 ... 32A	40 ... 63A
Endurance	4,000 operations	4,000 operations
Max. frequency (Cycles/hour)	240	120

Optional accessories ... Auxiliary switch, AX

Composition	Consists of 1 changeover contact	
Rating	AC circuit	DC circuit
	6A at 240VAC	2A at 48VDC
	3A at 415VAC	1A at 125VDC
Type of terminal	Lug type	
Terminal capacity	Cables up to 2.5mm ²	
Width	9mm	

Optional accessories ... Auxiliary switch, AL

Composition	Consists of 1 changeover contact	
Rating	AC circuit	DC circuit
	6A at 230VAC	2A at 48VDC
	3A at 415VAC	1A at 125VDC
Type of terminal	Lug type	
Terminal capacity	Cables up to 2.5mm ²	
Width	9mm	

Attach to the left side of BKN. Possible to attach only one AX or AL.

Optional accessories.. Shunt trip device, SHT

Rated Voltage(Ue)	AC 24V, AC110-415V
Operate voltage range	70-100% Ue
Width	18mm

Optional accessories.. Over/Under voltage trip device, OVT/UVT

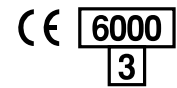
Rated Voltage(Ue)	AC 230V
Over-voltage tripping range	280V ±5%
Under-voltage tripping range	170V ±5%
Width	18mm

Attach to the right side of BKN. Possible to attach only one SHUNT or UVT/OVT.



Miniature circuit breakers

DIN rail mounting



BKN type, B curve



BKN 1P



BKN 1P+N



BKN 2P

Catalog No.

6kA at 230/400VAC

In	Model	Catalog No.	Pack. unit (Pcs.)	PRICE
1A	BKN 1P B1A	06110086R0	120	
2A	BKN 1P B2A	06110087R0	120	
3A	BKN 1P B3A	06110088R0	120	
4A	BKN 1P B4A	06110089R0	120	
6A	BKN 1P B6A	06110090R0	120	
10A	BKN 1P B10A	06110091R0	120	
13A	BKN 1P B13A	06112094R0	120	
16A	BKN 1P B16A	06110092R0	120	
20A	BKN 1P B20A	06110093R0	120	
25A	BKN 1P B25A	06110094R0	120	
32A	BKN 1P B32A	06110095R0	120	
40A	BKN 1P B40A	06110096R0	120	
50A	BKN 1P B50A	06110097R0	120	
63A	BKN 1P B63A	06110098R0	120	

6kA at 230VAC

In	Model	Catalog No.	Pack. unit (Pcs.)	PRICE
1A	BKN 1P+N B1A	06120250R0	60	
2A	BKN 1P+N B2A	06120251R0	60	
3A	BKN 1P+N B3A	06120252R0	60	
4A	BKN 1P+N B4A	06120253R0	60	
6A	BKN 1P+N B6A	06120254R0	60	
10A	BKN 1P+N B10A	06120255R0	60	
13A	BKN 1P+N B13A	06122285R0	60	
16A	BKN 1P+N B16A	06120256R0	60	
20A	BKN 1P+N B20A	06120257R0	60	
25A	BKN 1P+N B25A	06120258R0	60	
32A	BKN 1P+N B32A	06120259R0	60	
40A	BKN 1P+N B40A	06120260R0	60	
50A	BKN 1P+N B50A	06120261R0	60	
63A	BKN 1P+N B63A	06120262R0	60	

6kA at 400VAC

In	Model	Catalog No.	Pack. unit (Pcs.)	PRICE
1A	BKN 2P B1A	06120263R0	60	
2A	BKN 2P B2A	06120264R0	60	
3A	BKN 2P B3A	06120265R0	60	
4A	BKN 2P B4A	06120266R0	60	
6A	BKN 2P B6A	06120267R0	60	
10A	BKN 2P B10A	06120268R0	60	
13A	BKN 2P B13A	06122288R0	60	
16A	BKN 2P B16A	06120269R0	60	
20A	BKN 2P B20A	06120270R0	60	
25A	BKN 2P B25A	06120271R0	60	
32A	BKN 2P B32A	06120272R0	60	
40A	BKN 2P B40A	06120273R0	60	
50A	BKN 2P B50A	06120274R0	60	
63A	BKN 2P B63A	06120275R0	60	

BKN type, B curve



BKN 3P



BKN 3P+N



BKN 4P



Catalog No.

6kA at 400VAC

In	Model	Catalog No.	Pack. unit (Pcs.)	PRICE
1A	BKN 3P B1A	06130066R0	40	
2A	BKN 3P B2A	06130067R0	40	
3A	BKN 3P B3A	06130068R0	40	
4A	BKN 3P B4A	06130069R0	40	
6A	BKN 3P B6A	06130070R0	40	
10A	BKN 3P B10A	06130071R0	40	
13A	BKN 3P B13A	06130963R0	40	
16A	BKN 3P B16A	06130072R0	40	
20A	BKN 3P B20A	06130073R0	40	
25A	BKN 3P B25A	06130074R0	40	
32A	BKN 3P B32A	06130075R0	40	
40A	BKN 3P B40A	06130076R0	40	
50A	BKN 3P B50A	06130077R0	40	
63A	BKN 3P B63A	06130078R0	40	

6kA at 400VAC

In	Model	Catalog No.	Pack. unit (Pcs.)	PRICE
1A	BKN 3P+N B1A	06140133R0	30	
2A	BKN 3P+N B2A	06140134R0	30	
3A	BKN 3P+N B3A	06140135R0	30	
4A	BKN 3P+N B4A	06140136R0	30	
6A	BKN 3P+N B6A	06140137R0	30	
10A	BKN 3P+N B10A	06140138R0	30	
13A	BKN 3P+N B13A	06141773R0	30	
16A	BKN 3P+N B16A	06140139R0	30	
20A	BKN 3P+N B20A	06140140R0	30	
25A	BKN 3P+N B25A	06140141R0	30	
32A	BKN 3P+N B32A	06140142R0	30	
40A	BKN 3P+N B40A	06140143R0	30	
50A	BKN 3P+N B50A	06140144R0	30	
63A	BKN 3P+N B63A	06140145R0	30	

6kA at 400VAC

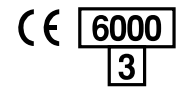
In	Model	Catalog No.	Pack. unit (Pcs.)	PRICE
1A	BKN 4P B1A	06140146R0	30	
2A	BKN 4P B2A	06140147R0	30	
3A	BKN 4P B3A	06140148R0	30	
4A	BKN 4P B4A	06140149R0	30	
6A	BKN 4P B6A	06140150R0	30	
10A	BKN 4P B10A	06140151R0	30	
13A	BKN 4P B13A	06141776R0	30	
16A	BKN 4P B16A	06140152R0	30	
20A	BKN 4P B20A	06140153R0	30	
25A	BKN 4P B25A	06140154R0	30	
32A	BKN 4P B32A	06140155R0	30	
40A	BKN 4P B40A	06140156R0	30	
50A	BKN 4P B50A	06140157R0	30	
63A	BKN 4P B63A	06140158R0	30	

Auxiliary switch 1c contact

In	Model	Catalog No.	Pack. unit (Pcs.)	PRICE
6A	BKN-AX-6A	06150002R0		
6A	BKN-AL-6A	06150004R0		

Miniature circuit breakers

DIN rail mounting



BKN type, C curve



BKN 1P



BKN 1P+N



BKN 2P

Catalog No.

6kA at 230/400VAC

In	Model	Catalog No.	Pack. unit (Pcs.)	PRICE
1A	BKN 1P C1A	06110070R0	120	
2A	BKN 1P C2A	06110071R0	120	
3A	BKN 1P C3A	06110072R0	120	
4A	BKN 1P C4A	06110073R0	120	
6A	BKN 1P C6A	06110074R0	120	
10A	BKN 1P C10A	06110075R0	120	
13A	BKN 1P C13A	06112095R0	120	
16A	BKN 1P C16A	06110076R0	120	
20A	BKN 1P C20A	06110077R0	120	
25A	BKN 1P C25A	06110078R0	120	
32A	BKN 1P C32A	06110079R0	120	
40A	BKN 1P C40A	06110080R0	120	
50A	BKN 1P C50A	06110081R0	120	
63A	BKN 1P C63A	06110082R0	120	

6kA at 230VAC

In	Model	Catalog No.	Pack. unit (Pcs.)	PRICE
1A	BKN 1P+N C1A	06120200R0	60	
2A	BKN 1P+N C2A	06120201R0	60	
3A	BKN 1P+N C3A	06120202R0	60	
4A	BKN 1P+N C4A	06120203R0	60	
6A	BKN 1P+N C6A	06120204R0	60	
10A	BKN 1P+N C10A	06120205R0	60	
13A	BKN 1P+N C13A	06122286R0	60	
16A	BKN 1P+N C16A	06120206R0	60	
20A	BKN 1P+N C20A	06120207R0	60	
25A	BKN 1P+N C25A	06120208R0	60	
32A	BKN 1P+N C32A	06120209R0	60	
40A	BKN 1P+N C40A	06120210R0	60	
50A	BKN 1P+N C50A	06120211R0	60	
63A	BKN 1P+N C63A	06120212R0	60	

6kA at 400VAC

In	Model	Catalog No.	Pack. unit (Pcs.)	PRICE
1A	BKN 2P C1A	06120213R0	60	
2A	BKN 2P C2A	06120214R0	60	
3A	BKN 2P C3A	06120215R0	60	
4A	BKN 2P C4A	06120216R0	60	
6A	BKN 2P C6A	06120217R0	60	
10A	BKN 2P C10A	06120218R0	60	
13A	BKN 2P C13A	06122289R0	60	
16A	BKN 2P C16A	06120219R0	60	
20A	BKN 2P C20A	06120220R0	60	
25A	BKN 2P C25A	06120221R0	60	
32A	BKN 2P C32A	06120222R0	60	
40A	BKN 2P C40A	06120223R0	60	
50A	BKN 2P C50A	06120224R0	60	
63A	BKN 2P C63A	06120225R0	60	

BKN type, C curve



BKN 3P



BKN 3P+N



BKN 4P



Catalog No.

6kA at 400VAC

In	Model	Catalog No.	Pack. unit (Pcs.)	PRICE
1A	BKN 3P C1A	06130050R0	40	
2A	BKN 3P C2A	06130051R0	40	
3A	BKN 3P C3A	06130052R0	40	
4A	BKN 3P C4A	06130053R0	40	
6A	BKN 3P C6A	06130054R0	40	
10A	BKN 3P C10A	06130055R0	40	
13A	BKN 3P C13A	06130964R0	40	
16A	BKN 3P C16A	06130056R0	40	
20A	BKN 3P C20A	06130057R0	40	
25A	BKN 3P C25A	06130058R0	40	
32A	BKN 3P C32A	06130059R0	40	
40A	BKN 3P C40A	06130060R0	40	
50A	BKN 3P C50A	06130061R0	40	
63A	BKN 3P C63A	06130062R0	40	

6kA at 400VAC

In	Model	Catalog No.	Pack. unit (Pcs.)	PRICE
1A	BKN 3P+N C1A	06140104R0	30	
2A	BKN 3P+N C2A	06140105R0	30	
3A	BKN 3P+N C3A	06140106R0	30	
4A	BKN 3P+N C4A	06140107R0	30	
6A	BKN 3P+N C6A	06140108R0	30	
10A	BKN 3P+N C10A	06140109R0	30	
13A	BKN 3P+N C13A	06141774R0	30	
16A	BKN 3P+N C16A	06140110R0	30	
20A	BKN 3P+N C20A	06140111R0	30	
25A	BKN 3P+N C25A	06140112R0	30	
32A	BKN 3P+N C32A	06140113R0	30	
40A	BKN 3P+N C40A	06140114R0	30	
50A	BKN 3P+N C50A	06140115R0	30	
63A	BKN 3P+N C63A	06140116R0	30	

6kA at 400VAC

In	Model	Catalog No.	Pack. unit (Pcs.)	PRICE
1A	BKN 4P C1A	06140117R0	30	
2A	BKN 4P C2A	06140118R0	30	
3A	BKN 4P C3A	06140119R0	30	
4A	BKN 4P C4A	06140120R0	30	
6A	BKN 4P C6A	06140121R0	30	
10A	BKN 4P C10A	06140122R0	30	
13A	BKN 4P C13A	06141777R0	30	
16A	BKN 4P C16A	06140123R0	30	
20A	BKN 4P C20A	06140124R0	30	
25A	BKN 4P C25A	06140125R0	30	
32A	BKN 4P C32A	06140126R0	30	
40A	BKN 4P C40A	06140127R0	30	
50A	BKN 4P C50A	06140128R0	30	
63A	BKN 4P C63A	06140129R0	30	

Auxiliary switch 1c contact

In	Model	Catalog No.	Pack. unit (Pcs.)	PRICE
6A	BKN-AX-6A	06150002R0		
6A	BKN-AL-6A	06150004R0		

Miniature circuit breakers

DIN rail mounting



BKN type, D curve



BKN 1P



BKN 1P+N



BKN 2P

Catalog No.

6kA at 230/400VAC

In	Model	Catalog No.	Pack. unit (Pcs.)	PRICE
1A	BKN 1P D1A	06110099R0	120	
2A	BKN 1P D2A	06110100R0	120	
3A	BKN 1P D3A	06110101R0	120	
4A	BKN 1P D4A	06110102R0	120	
6A	BKN 1P D6A	06110103R0	120	
10A	BKN 1P D10A	06110104R0	120	
13A	BKN 1P D13A	06112096R0	120	
16A	BKN 1P D16A	06110105R0	120	
20A	BKN 1P D20A	06110106R0	120	
25A	BKN 1P D25A	06110107R0	120	
32A	BKN 1P D32A	06110108R0	120	
40A	BKN 1P D40A	06110109R0	120	
50A	BKN 1P D50A	06110110R0	120	
63A	BKN 1P D63A	06110111R0	120	

6kA at 230VAC

In	Model	Catalog No.	Pack. unit (Pcs.)	PRICE
1A	BKN 1P+N D1A	06120276R0	60	
2A	BKN 1P+N D2A	06120277R0	60	
3A	BKN 1P+N D3A	06120278R0	60	
4A	BKN 1P+N D4A	06120279R0	60	
6A	BKN 1P+N D6A	06120280R0	60	
10A	BKN 1P+N D10A	06120281R0	60	
13A	BKN 1P+N D13A	06122287R0	60	
16A	BKN 1P+N D16A	06120282R0	60	
20A	BKN 1P+N D20A	06120283R0	60	
25A	BKN 1P+N D25A	06120284R0	60	
32A	BKN 1P+N D32A	06120285R0	60	
40A	BKN 1P+N D40A	06120286R0	60	
50A	BKN 1P+N D50A	06120287R0	60	
63A	BKN 1P+N D63A	06120288R0	60	

6kA at 400VAC

In	Model	Catalog No.	Pack. unit (Pcs.)	PRICE
1A	BKN 2P D1A	06120289R0	60	
2A	BKN 2P D2A	06120290R0	60	
3A	BKN 2P D3A	06120291R0	60	
4A	BKN 2P D4A	06120292R0	60	
6A	BKN 2P D6A	06120293R0	60	
10A	BKN 2P D10A	06120294R0	60	
13A	BKN 2P D13A	06122290R0	60	
16A	BKN 2P D16A	06120295R0	60	
20A	BKN 2P D20A	06120296R0	60	
25A	BKN 2P D25A	06120297R0	60	
32A	BKN 2P D32A	06120298R0	60	
40A	BKN 2P D40A	06120299R0	60	
50A	BKN 2P D50A	06120300R0	60	
63A	BKN 2P D63A	06120301R0	60	

BKN type, D curve



BKN 3P



BKN 3P+N



BKN 4P



Catalog No.

6kA at 400VAC

In	Model	Catalog No.	Pack. unit (Pcs.)	PRICE
1A	BKN 3P D1A	06130079R0	40	
2A	BKN 3P D2A	06130080R0	40	
3A	BKN 3P D3A	06130081R0	40	
4A	BKN 3P D4A	06130082R0	40	
6A	BKN 3P D6A	06130083R0	40	
10A	BKN 3P D10A	06130084R0	40	
13A	BKN 3P D13A	06130965R0	40	
16A	BKN 3P D16A	06130085R0	40	
20A	BKN 3P D20A	06130086R0	40	
25A	BKN 3P D25A	06130087R0	40	
32A	BKN 3P D32A	06130088R0	40	
40A	BKN 3P D40A	06130089R0	40	
50A	BKN 3P D50A	06130090R0	40	
63A	BKN 3P D63A	06130091R0	40	

6kA at 400VAC

In	Model	Catalog No.	Pack. unit (Pcs.)	PRICE
1A	BKN 3P+N D1A	06140159R0	30	
2A	BKN 3P+N D2A	06140160R0	30	
3A	BKN 3P+N D3A	06140161R0	30	
4A	BKN 3P+N D4A	06140162R0	30	
6A	BKN 3P+N D6A	06140163R0	30	
10A	BKN 3P+N D10A	06140164R0	30	
13A	BKN 3P+N D13A	06141775R0	30	
16A	BKN 3P+N D16A	06140165R0	30	
20A	BKN 3P+N D20A	06140166R0	30	
25A	BKN 3P+N D25A	06140167R0	30	
32A	BKN 3P+N D32A	06140168R0	30	
40A	BKN 3P+N D40A	06140169R0	30	
50A	BKN 3P+N D50A	06140170R0	30	
63A	BKN 3P+N D63A	06140171R0	30	

6kA at 400VAC

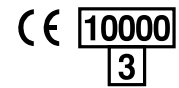
In	Model	Catalog No.	Pack. unit (Pcs.)	PRICE
1A	BKN 4P D1A	06140172R0	30	
2A	BKN 4P D2A	06140173R0	30	
3A	BKN 4P D3A	06140174R0	30	
4A	BKN 4P D4A	06140175R0	30	
6A	BKN 4P D6A	06140176R0	30	
10A	BKN 4P D10A	06140177R0	30	
13A	BKN 4P D13A	06141778R0	30	
16A	BKN 4P D16A	06140178R0	30	
20A	BKN 4P D20A	06140179R0	30	
25A	BKN 4P D25A	06140180R0	30	
32A	BKN 4P D32A	06140181R0	30	
40A	BKN 4P D40A	06140182R0	30	
50A	BKN 4P D50A	06140183R0	30	
63A	BKN 4P D63A	06140184R0	30	

Auxiliary switch 1c contact

In	Model	Catalog No.	Pack. unit (Pcs.)	PRICE
6A	BKN-AX-6A	06150002R0		
6A	BKN-AL-6A	06150004R0		

Miniature circuit breakers

DIN rail mounting



High rupturing capacity

BKN-b type



BKN-b 2P

Certificate

CE

Patent protection

Technical data

Standard	Confirming to IEC60898	
Approval	KEMA CB, SABS, UL 1077† CE	
Protection	Against overload and short circuit	
Rated current I _n	1, 2, 3, 4, 6, 10, 16, 20, 25, 32, 40, 50, 63A	
Rated voltage	1pole 240/415VAC 50/60Hz 2, 3, 4pole 415VAC 50/60Hz	
Ambient temperature	-5 °C to +40 °C pursuant to IEC60898	
Breaking capacity	10kA	
Characteristic	B, C, D curve	
Number of poles	1P, 1P+N, 2P, 3P, 3P+N and 4P	
Type of trip	Thermal-magnetic release	
Type of terminal	Dual type (Lug & Screw)	
Terminal capacity	Cables up to 25mm ²	
Installation	Mounting on 35mm DIN rail	
Width	17.8mm per pole	
Electrical endurance		
In	1 ... 32A	40 ... 63A
Endurance	4,000 operations	4,000 operations
Max. frequency (Cycles/hour)	240	120

Influence of ambient temperature on nominal currents

Nominal current of MCB (A)	Internally resistance (mohm)	Power loss (W)	Max. impedance of impedance loop (Ohm)			Thermal correction of nominal currents				
			Character			Ambient temperature				
			B	C	D	20 °C	30 °C	40 °C	50 °C	60 °C
1	1215.69	1.24	46.20	25.70	14.40	1.05	1	0.95	0.90	0.85
2	343.28	1.38	21.60	12.02	6.73	2.08	2	1.92	1.84	1.74
3	128.09	1.15	16.90	9.40	5.26	3.18	3	2.82	2.61	2.37
4	105.53	1.68	10.68	5.94	3.33	4.24	4	3.76	3.52	3.24
6	29.22	1.08	7.14	3.97	2.22	6.24	6	5.76	5.52	5.30
10	14.49	1.55	3.87	2.15	1.21	10.60	10	9.30	8.60	7.80
16	10.00	2.56	2.24	1.25	0.70	16.80	16	15.20	14.20	13.30
20	8.02	3.32	1.55	0.86	0.48	21.00	20	19.00	17.80	16.80
25	3.11	2.00	2.43	1.35	0.76	26.20	25	23.70	22.20	20.70
32	3.05	3.17	1.27	0.71	0.40	33.50	32	30.40	28.40	27.50
40	2.16	3.40	0.60	0.33	0.19	42.00	40	38.00	35.60	33.20
50	1.65	4.20	0.71	0.39	0.22	52.50	50	47.40	44.00	40.50
63	1.68	6.30	0.47	0.32	0.15	66.20	63	58.00	54.20	49.20

BKN-b type, B curve



BKN-b 1P

Catalog No.

10kA at 240/415VAC

In	Model	Catalog No.	Pack. unit (Pcs.)	PRICE
1A	BKN-b 1P B1A	06110160R0	120	
2A	BKN-b 1P B2A	06110161R0	120	
3A	BKN-b 1P B3A	06110162R0	120	
4A	BKN-b 1P B4A	06110163R0	120	
6A	BKN-b 1P B6A	06110164R0	120	
10A	BKN-b 1P B10A	06110165R0	120	
16A	BKN-b 1P B16A	06110166R0	120	
20A	BKN-b 1P B20A	06110167R0	120	
25A	BKN-b 1P B25A	06110168R0	120	
32A	BKN-b 1P B32A	06110169R0	120	
40A	BKN-b 1P B40A	06110170R0	120	
50A	BKN-b 1P B50A	06110171R0	120	
63A	BKN-b 1P B63A	06110172R0	120	



BKN-b 1P+N

10kA at 240VAC

In	Model	Catalog No.	Pack. unit (Pcs.)	PRICE
1A	BKN-b 1P+N B1A	06120417R0	60	
2A	BKN-b 1P+N B2A	06120418R0	60	
3A	BKN-b 1P+N B3A	06120419R0	60	
4A	BKN-b 1P+N B4A	06120420R0	60	
6A	BKN-b 1P+N B6A	06120421R0	60	
10A	BKN-b 1P+N B10A	06120422R0	60	
16A	BKN-b 1P+N B16A	06120423R0	60	
20A	BKN-b 1P+N B20A	06120424R0	60	
25A	BKN-b 1P+N B25A	06120425R0	60	
32A	BKN-b 1P+N B32A	06120426R0	60	
40A	BKN-b 1P+N B40A	06120427R0	60	
50A	BKN-b 1P+N B50A	06120428R0	60	
63A	BKN-b 1P+N B63A	06120429R0	60	



BKN-b 2P

10kA at 415VAC

In	Model	Catalog No.	Pack. unit (Pcs.)	PRICE
1A	BKN-b 2P B1A	06120430R0	60	
2A	BKN-b 2P B2A	06120431R0	60	
3A	BKN-b 2P B3A	06120432R0	60	
4A	BKN-b 2P B4A	06120433R0	60	
6A	BKN-b 2P B6A	06120434R0	60	
10A	BKN-b 2P B10A	06120435R0	60	
16A	BKN-b 2P B16A	06120436R0	60	
20A	BKN-b 2P B20A	06120437R0	60	
25A	BKN-b 2P B25A	06120438R0	60	
32A	BKN-b 2P B32A	06120439R0	60	
40A	BKN-b 2P B40A	06120440R0	60	
50A	BKN-b 2P B50A	06120441R0	60	
63A	BKN-b 2P B63A	06120442R0	60	

Miniature circuit breakers

DIN rail mounting



BKN-b type, B curve



BKN-b 3P

Catalog No.

10kA at 415VAC

In	Model	Catalog No.	Pack. unit (Pcs.)	PRICE
1A	BKN-b 3P B1A	06120443R0	40	
2A	BKN-b 3P B2A	06120444R0	40	
3A	BKN-b 3P B3A	06120445R0	40	
4A	BKN-b 3P B4A	06120446R0	40	
6A	BKN-b 3P B6A	06120447R0	40	
10A	BKN-b 3P B10A	06120448R0	40	
16A	BKN-b 3P B16A	06120449R0	40	
20A	BKN-b 3P B20A	06120450R0	40	
25A	BKN-b 3P B25A	06120451R0	40	
32A	BKN-b 3P B32A	06120452R0	40	
40A	BKN-b 3P B40A	06120453R0	40	
50A	BKN-b 3P B50A	06120454R0	40	
63A	BKN-b 3P B63A	06120455R0	40	



BKN-b 3P+N

10kA at 415VAC

In	Model	Catalog No.	Pack. unit (Pcs.)	PRICE
1A	BKN-b 3P+N B1A	06120456R0	30	
2A	BKN-b 3P+N B2A	06120457R0	30	
3A	BKN-b 3P+N B3A	06120458R0	30	
4A	BKN-b 3P+N B4A	06120459R0	30	
6A	BKN-b 3P+N B6A	06120460R0	30	
10A	BKN-b 3P+N B10A	06120461R0	30	
16A	BKN-b 3P+N B16A	06120462R0	30	
20A	BKN-b 3P+N B20A	06120463R0	30	
25A	BKN-b 3P+N B25A	06120464R0	30	
32A	BKN-b 3P+N B32A	06120465R0	30	
40A	BKN-b 3P+N B40A	06120466R0	30	
50A	BKN-b 3P+N B50A	06120467R0	30	
63A	BKN-b 3P+N B63A	06120468R0	30	



BKN-b 4P

10kA at 415VAC

In	Model	Catalog No.	Pack. unit (Pcs.)	PRICE
1A	BKN-b 4P B1A	06120469R0	30	
2A	BKN-b 4P B2A	06120470R0	30	
3A	BKN-b 4P B3A	06120471R0	30	
4A	BKN-b 4P B4A	06120472R0	30	
6A	BKN-b 4P B6A	06120473R0	30	
10A	BKN-b 4P B10A	06120474R0	30	
16A	BKN-b 4P B16A	06120475R0	30	
20A	BKN-b 4P B20A	06120476R0	30	
25A	BKN-b 4P B25A	06120477R0	30	
32A	BKN-b 4P B32A	06120478R0	30	
40A	BKN-b 4P B40A	06120479R0	30	
50A	BKN-b 4P B50A	06120480R0	30	
63A	BKN-b 4P B63A	06120481R0	30	

BKN-b type, C curve



BKN-b 1P

Catalog No.

10kA at 240/415VAC

In	Model	Catalog No.	Pack. unit (Pcs.)	PRICE
1A	BKN-b 1P C1A	06110173R0	120	
2A	BKN-b 1P C2A	06110174R0	120	
3A	BKN-b 1P C3A	06110175R0	120	
4A	BKN-b 1P C4A	06110176R0	120	
6A	BKN-b 1P C6A	06110177R0	120	
10A	BKN-b 1P C10A	06110178R0	120	
16A	BKN-b 1P C16A	06110179R0	120	
20A	BKN-b 1P C20A	06110180R0	120	
25A	BKN-b 1P C25A	06110181R0	120	
32A	BKN-b 1P C32A	06110182R0	120	
40A	BKN-b 1P C40A	06110183R0	120	
50A	BKN-b 1P C50A	06110184R0	120	
63A	BKN-b 1P C63A	06110185R0	120	



BKN-b 1P+N

10kA at 240VAC

In	Model	Catalog No.	Pack. unit (Pcs.)	PRICE
1A	BKN-b 1P+N C1A	06110186R0	60	
2A	BKN-b 1P+N C2A	06110187R0	60	
3A	BKN-b 1P+N C3A	06110188R0	60	
4A	BKN-b 1P+N C4A	06110189R0	60	
6A	BKN-b 1P+N C6A	06110190R0	60	
10A	BKN-b 1P+N C10A	06110191R0	60	
16A	BKN-b 1P+N C16A	06110192R0	60	
20A	BKN-b 1P+N C20A	06110193R0	60	
25A	BKN-b 1P+N C25A	06110194R0	60	
32A	BKN-b 1P+N C32A	06110195R0	60	
40A	BKN-b 1P+N C40A	06110196R0	60	
50A	BKN-b 1P+N C50A	06110197R0	60	
63A	BKN-b 1P+N C63A	06110198R0	60	



BKN-b 2P

10kA at 415VAC

In	Model	Catalog No.	Pack. unit (Pcs.)	PRICE
1A	BKN-b 2P C1A	06110199R0	60	
2A	BKN-b 2P C2A	06110200R0	60	
3A	BKN-b 2P C3A	06110201R0	60	
4A	BKN-b 2P C4A	06110202R0	60	
6A	BKN-b 2P C6A	06110203R0	60	
10A	BKN-b 2P C10A	06110204R0	60	
16A	BKN-b 2P C16A	06110205R0	60	
20A	BKN-b 2P C20A	06110206R0	60	
25A	BKN-b 2P C25A	06110207R0	60	
32A	BKN-b 2P C32A	06110208R0	60	
40A	BKN-b 2P C40A	06110209R0	60	
50A	BKN-b 2P C50A	06110210R0	60	
63A	BKN-b 2P C63A	06110211R0	60	

Miniature circuit breakers

DIN rail mounting



BKN-b type, C curve



BKN-b 3P

Catalog No.

10kA at 415VAC

In	Model	Catalog No.	Pack. unit (Pcs.)	PRICE
1A	BKN-b 3P C1A	06110212R0	40	
2A	BKN-b 3P C2A	06110213R0	40	
3A	BKN-b 3P C3A	06110214R0	40	
4A	BKN-b 3P C4A	06110215R0	40	
6A	BKN-b 3P C6A	06110216R0	40	
10A	BKN-b 3P C10A	06110217R0	40	
16A	BKN-b 3P C16A	06110218R0	40	
20A	BKN-b 3P C20A	06110219R0	40	
25A	BKN-b 3P C25A	06110220R0	40	
32A	BKN-b 3P C32A	06110221R0	40	
40A	BKN-b 3P C40A	06110222R0	40	
50A	BKN-b 3P C50A	06110223R0	40	
63A	BKN-b 3P C63A	06110224R0	40	



BKN-b 3P+N

10kA at 415VAC

In	Model	Catalog No.	Pack. unit (Pcs.)	PRICE
1A	BKN-b 3P+N C1A	06110225R0	30	
2A	BKN-b 3P+N C2A	06110226R0	30	
3A	BKN-b 3P+N C3A	06110227R0	30	
4A	BKN-b 3P+N C4A	06110228R0	30	
6A	BKN-b 3P+N C6A	06110229R0	30	
10A	BKN-b 3P+N C10A	06110230R0	30	
16A	BKN-b 3P+N C16A	06110231R0	30	
20A	BKN-b 3P+N C20A	06110232R0	30	
25A	BKN-b 3P+N C25A	06110233R0	30	
32A	BKN-b 3P+N C32A	06110234R0	30	
40A	BKN-b 3P+N C40A	06110235R0	30	
50A	BKN-b 3P+N C50A	06110236R0	30	
63A	BKN-b 3P+N C63A	06110237R0	30	



BKN-b 4P

10kA at 415VAC

In	Model	Catalog No.	Pack. unit (Pcs.)	PRICE
1A	BKN-b 4P C1A	06110238R0	30	
2A	BKN-b 4P C2A	06110239R0	30	
3A	BKN-b 4P C3A	06110240R0	30	
4A	BKN-b 4P C4A	06110241R0	30	
6A	BKN-b 4P C6A	06110242R0	30	
10A	BKN-b 4P C10A	06110243R0	30	
16A	BKN-b 4P C16A	06110244R0	30	
20A	BKN-b 4P C20A	06110245R0	30	
25A	BKN-b 4P C25A	06110246R0	30	
32A	BKN-b 4P C32A	06110247R0	30	
40A	BKN-b 4P C40A	06110248R0	30	
50A	BKN-b 4P C50A	06110249R0	30	
63A	BKN-b 4P C63A	06110250R0	30	

BKN-b type, D curve



BKN-b 1P

Catalog No.

10kA at 240/415VAC

In	Model	Catalog No.	Pack. unit (Pcs.)	PRICE
1A	BKN-b 1P D1A	06110251R0	120	
2A	BKN-b 1P D2A	06110252R0	120	
3A	BKN-b 1P D3A	06110253R0	120	
4A	BKN-b 1P D4A	06110254R0	120	
6A	BKN-b 1P D6A	06110255R0	120	
10A	BKN-b 1P D10A	06110256R0	120	
16A	BKN-b 1P D16A	06110257R0	120	
20A	BKN-b 1P D20A	06110258R0	120	
25A	BKN-b 1P D25A	06110259R0	120	
32A	BKN-b 1P D32A	06110260R0	120	
40A	BKN-b 1P D40A	06110261R0	120	
50A	BKN-b 1P D50A	06110262R0	120	
63A	BKN-b 1P D63A	06110263R0	120	



BKN-b 1P+N

10kA at 240VAC

In	Model	Catalog No.	Pack. unit (Pcs.)	PRICE
1A	BKN-b 1P+N D1A	06110264R0	60	
2A	BKN-b 1P+N D2A	06110265R0	60	
3A	BKN-b 1P+N D3A	06110266R0	60	
4A	BKN-b 1P+N D4A	06110267R0	60	
6A	BKN-b 1P+N D6A	06110268R0	60	
10A	BKN-b 1P+N D10A	06110269R0	60	
16A	BKN-b 1P+N D16A	06110270R0	60	
20A	BKN-b 1P+N D20A	06110271R0	60	
25A	BKN-b 1P+N D25A	06110272R0	60	
32A	BKN-b 1P+N D32A	06110273R0	60	
40A	BKN-b 1P+N D40A	06110274R0	60	
50A	BKN-b 1P+N D50A	06110275R0	60	
63A	BKN-b 1P+N D63A	06110276R0	60	



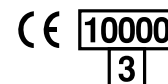
BKN-b 2P

10kA at 415VAC

In	Model	Catalog No.	Pack. unit (Pcs.)	PRICE
1A	BKN-b 2P D1A	06110277R0	60	
2A	BKN-b 2P D2A	06110278R0	60	
3A	BKN-b 2P D3A	06110279R0	60	
4A	BKN-b 2P D4A	06110280R0	60	
6A	BKN-b 2P D6A	06110281R0	60	
10A	BKN-b 2P D10A	06110282R0	60	
16A	BKN-b 2P D16A	06110283R0	60	
20A	BKN-b 2P D20A	06110284R0	60	
25A	BKN-b 2P D25A	06110285R0	60	
32A	BKN-b 2P D32A	06110286R0	60	
40A	BKN-b 2P D40A	06110287R0	60	
50A	BKN-b 2P D50A	06110288R0	60	
63A	BKN-b 2P D63A	06110289R0	60	

Miniature circuit breakers

DIN rail mounting



BKN-b type, D curve



BKN-b 3P

Catalog No.

10kA at 415VAC

In	Model	Catalog No.	Pack. unit (Pcs.)	PRICE
1A	BKN-b 3P D1A	06110290R0	40	
2A	BKN-b 3P D2A	06110291R0	40	
3A	BKN-b 3P D3A	06110292R0	40	
4A	BKN-b 3P D4A	06110293R0	40	
6A	BKN-b 3P D6A	06110294R0	40	
10A	BKN-b 3P D10A	06110295R0	40	
16A	BKN-b 3P D16A	06110296R0	40	
20A	BKN-b 3P D20A	06110297R0	40	
25A	BKN-b 3P D25A	06110298R0	40	
32A	BKN-b 3P D32A	06110299R0	40	
40A	BKN-b 3P D40A	06110300R0	40	
50A	BKN-b 3P D50A	06110301R0	40	
63A	BKN-b 3P D63A	06110302R0	40	



BKN-b 3P+N

10kA at 415VAC

In	Model	Catalog No.	Pack. unit (Pcs.)	PRICE
1A	BKN-b 3P+N D1A	06110303R0	30	
2A	BKN-b 3P+N D2A	06110304R0	30	
3A	BKN-b 3P+N D3A	06110305R0	30	
4A	BKN-b 3P+N D4A	06110306R0	30	
6A	BKN-b 3P+N D6A	06110307R0	30	
10A	BKN-b 3P+N D10A	06110308R0	30	
16A	BKN-b 3P+N D16A	06110309R0	30	
20A	BKN-b 3P+N D20A	06110310R0	30	
25A	BKN-b 3P+N D25A	06110311R0	30	
32A	BKN-b 3P+N D32A	06110312R0	30	
40A	BKN-b 3P+N D40A	06110313R0	30	
50A	BKN-b 3P+N D50A	06110314R0	30	
63A	BKN-b 3P+N D63A	06110315R0	30	



BKN-b 4P

10kA at 415VAC

In	Model	Catalog No.	Pack. unit (Pcs.)	PRICE
1A	BKN-b 4P D1A	06110316R0	30	
2A	BKN-b 4P D2A	06110317R0	30	
3A	BKN-b 4P D3A	06110318R0	30	
4A	BKN-b 4P D4A	06110319R0	30	
6A	BKN-b 4P D6A	06110320R0	30	
10A	BKN-b 4P D10A	06110321R0	30	
16A	BKN-b 4P D16A	06110322R0	30	
20A	BKN-b 4P D20A	06110323R0	30	
25A	BKN-b 4P D25A	06110324R0	30	
32A	BKN-b 4P D32A	06110325R0	30	
40A	BKN-b 4P D40A	06110326R0	30	
50A	BKN-b 4P D50A	06110327R0	30	
63A	BKN-b 4P D63A	06110328R0	30	

BKN-c type



BKN-c 2P

Certificate

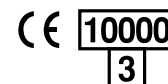
CE

Technical data

Standard	Confirming to IEC60898	
Approval	SEMKO CB	
Protection	Against overload and short circuit	
Rated current In	1, 2, 3, 4, 6, 10, 13, 16, 20, 25, 32, 40, 50, 63A	
Rated voltage	1pole 230/400VAC 50/60Hz 2, 3, 4pole 400VAC 50/60Hz	
Breaking capacity	6kA	
Characteristic	B, C, D curve	
Number of poles	1P, 2P, 3P, 4P	
Type of trip	Thermal-magnetic release	
Type of terminal	Dual type (Lug & Screw)	
Terminal capacity	Cables up to 25mm ²	
Installation	Mounting on 35mm DIN rail	
Width	17.8mm per pole	
Electrical endurance		
In	1 ... 32A	40 ... 63A
Endurance	4,000 operations	4,000 operations
Max. frequency (Cycles/hour)	240	120

Miniature circuit breakers

DIN rail mounting



High rupturing capacity

BKH type



BKH 1P

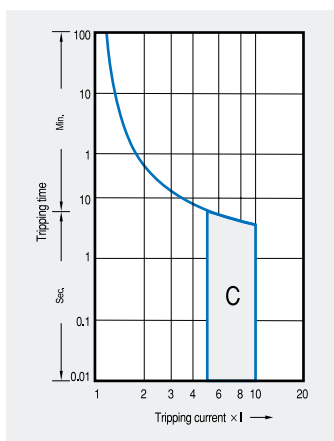
Technical data

Standard	Confirming to IEC60947-2
Approval	CCC, SEMKO CB, CE, SABS
Protection	Overload and short circuit
Rated current In	63, 80, 100, 125A
Rated voltage	1pole 230VAC 50/60Hz 2, 3, 4pole 400VAC 50/60Hz
Breaking capacity	10kA
Characteristic	C, D curve
Number of poles	1P, 2P, 3P, 4P
Type of trip	Thermal magnetic release
Type of terminal	Lug type
Terminal capacity	Cables up to 50mm ²
Installation	Mounting on 35mm DIN rail
Width	27mm per pole
Electrical endurance	1,500 operations

Catalog No.

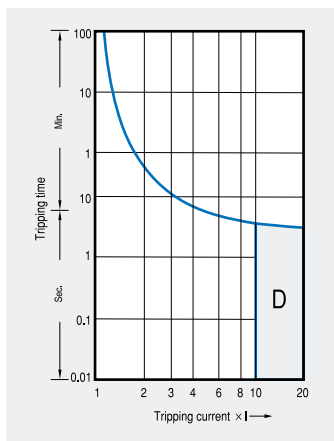
C curve

Type	In	Model	Catalog No.	Pack. unit (Pcs.)	PRICE
1P	63A	BKH 1P C63A	06110329R0	72	
	80A	BKH 1P C80A	06110330R0	72	
	100A	BKH 1P C100A	06110331R0	72	
	125A	BKH 1P C125A	06110332R0	72	
2P	63A	BKH 2P C63A	06110337R0	36	
	80A	BKH 2P C80A	06110338R0	36	
	100A	BKH 2P C100A	06110339R0	36	
3P	63A	BKH 3P C63A	06110345R0	24	
	80A	BKH 3P C80A	06110346R0	24	
	100A	BKH 3P C100A	06110347R0	24	
4P	63A	BKH 4P C63A	06110361R0	18	
	80A	BKH 4P C80A	06110362R0	18	
	100A	BKH 4P C100A	06110363R0	18	
	125A	BKH 4P C125A	06110364R0	18	



D curve

Type	In	Model	Catalog No.	Pack. unit (Pcs.)	PRICE
1P	63A	BKH 1P D63A	06110333R0	72	
	80A	BKH 1P D80A	06110334R0	72	
	100A	BKH 1P D100A	06110335R0	72	
	125A	BKH 1P D125A	06110336R0	72	
2P	63A	BKH 2P D63A	06110341R0	36	
	80A	BKH 2P D80A	06110342R0	36	
	100A	BKH 2P D100A	06110343R0	36	
3P	63A	BKH 3P D63A	06110349R0	24	
	80A	BKH 3P D80A	06110350R0	24	
	100A	BKH 3P D100A	06110351R0	24	
4P	63A	BKH 4P D63A	06110365R0	18	
	80A	BKH 4P D80A	06110366R0	18	
	100A	BKH 4P D100A	06110367R0	18	
	125A	BKH 4P D125A	06110368R0	18	



DIN rail mounting

BFN type



BFN

Technical data

Standard	IEC 60947-2
Approval	SEMKO CB, CE
Protection	Overload and short circuit
Rated current	5, 10, 15, 20, 25, 30, 40, 50A
Rated voltage	1pole 10kA at 230VAC 2, 3pole 10kA at 400VAC
Breaking capacity	10kA
Number of poles	1, 2, 3pole
Type of trip	Thermal magnetic release
Type of terminal	Lug type (14-6 AWG.)
Installation	Plug-in
Width	60mm
Slot	56mm
Accessory	Not available

Catalog No.

BFN 10kA at 230/400VAC



1pole				
In	Model	Catalog No.	Pack. unit (Pcs.)	PRICE
5A	BFN 1P 5A	06110704R0	120	
10A	BFN 1P 10A	06110705R0	120	
15A	BFN 1P 15A	06110706R0	120	
20A	BFN 1P 20A	06110707R0	120	
30A	BFN 1P 30A	06110708R0	120	
40A	BFN 1P 40A	06110709R0	120	
50A	BFN 1P 50A	06110711R0	120	
Weight/pc		0.14kg		

2pole				
In	Model	Catalog No.	Pack. unit (Pcs.)	PRICE
5A	BFN 2P 5A	06120681R0	60	
10A	BFN 2P 10A	06120682R0	60	
15A	BFN 2P 15A	06120683R0	60	
20A	BFN 2P 20A	06120684R0	60	
30A	BFN 2P 30A	06120685R0	60	
40A	BFN 2P 40A	06120686R0	60	
50A	BFN 2P 50A	06120687R0	60	
Weight/pc		0.29kg		

3pole				
In	Model	Catalog No.	Pack. unit (Pcs.)	PRICE
5A	BFN 3P 5A	06130239R0	40	
10A	BFN 3P 10A	06130240R0	40	
15A	BFN 3P 15A	06130241R0	40	
20A	BFN 3P 20A	06130242R0	40	
30A	BFN 3P 30A	06130243R0	40	
40A	BFN 3P 40A	06130244R0	40	
50A	BFN 3P 50A	06130245R0	40	
Weight/pc		0.43kg		

Residual current circuit breakers with overcurrent protection

DIN rail mounting

RKP type



RKP 1P+N

Certificate
CE

Technical data

Protection	Ground fault and overcurrent
Rated current, I_n	3(C, D curve), 6, 10, 16, 20, 25, 32A(B, C, D curve)
Rated residual current	
Operating, I_{Δn}	30, 100, 300mA (non-adjustable)
Non-operating, I_{Δno}	0.5I _{Δn}
Number of poles	1P+N
Rated voltage	230VAC
Residual current off-time	≤ 0.1 sec.
Standard	IEC 61009
Approval	CCC, SEMKO CB, CE, SABS
Type of trip	
Ground fault	Electronic
Overcurrent	Thermal-magnetic
Breaking capacity	4.5kA
Electrical endurance	4,000 operations
Mount	On 35mm DIN rail
Width	9mm per pole
Terminal	Lug type (cable up to 10mm ²)

Catalog No.

RKP B curve

In	I _{Δn}	Model	Catalog No.	Pack. unit (Pcs.)
3A	30mA	Not applicable	Not applicable	Not applicable
	100mA	Not applicable	Not applicable	Not applicable
	300mA	Not applicable	Not applicable	Not applicable
6A	30mA	RKP 1P+N B6A 30mA	06220123R0	60
	100mA	RKP 1P+N B6A 100mA	06220124R0	60
	300mA	RKP 1P+N B6A 300mA	06220125R0	60
10A	30mA	RKP 1P+N B10A 30mA	06220127R0	60
	100mA	RKP 1P+N B10A 100mA	06220128R0	60
	300mA	RKP 1P+N B10A 300mA	06220129R0	60
16A	30mA	RKP 1P+N B16A 30mA	06220131R0	60
	100mA	RKP 1P+N B16A 100mA	06220132R0	60
	300mA	RKP 1P+N B16A 300mA	06220133R0	60
20A	30mA	RKP 1P+N B20A 30mA	06220135R0	60
	100mA	RKP 1P+N B20A 100mA	06220136R0	60
	300mA	RKP 1P+N B20A 300mA	06220137R0	60
25A	30mA	RKP 1P+N B25A 30mA	06220139R0	60
	100mA	RKP 1P+N B25A 100mA	06220140R0	60
	300mA	RKP 1P+N B25A 300mA	06220141R0	60
32A	30mA	RKP 1P+N B32A 30mA	06220143R0	60
	100mA	RKP 1P+N B32A 100mA	06220144R0	60
	300mA	RKP 1P+N B32A 300mA	06220145R0	60



RKP 1P+N

Certificate
CE

Catalog No.

RKP C curve

In	I _{Δn}	Model	Catalog No.	Pack. unit (Pcs.)
3A	30mA	RKP 1P+N C3A 30mA	06220147R0	60
	100mA	RKP 1P+N C3A 100mA	06220148R0	60
	300mA	RKP 1P+N C3A 300mA	06220149R0	60
6A	30mA	RKP 1P+N C6A 30mA	06220151R0	60
	100mA	RKP 1P+N C6A 100mA	06220152R0	60
	300mA	RKP 1P+N C6A 300mA	06220153R0	60
10A	30mA	RKP 1P+N C10A 30mA	06220155R0	60
	100mA	RKP 1P+N C10A 100mA	06220156R0	60
	300mA	RKP 1P+N C10A 300mA	06220157R0	60
16A	30mA	RKP 1P+N C16A 30mA	06220159R0	60
	100mA	RKP 1P+N C16A 100mA	06220160R0	60
	300mA	RKP 1P+N C16A 300mA	06220161R0	60
20A	30mA	RKP 1P+N C20A 30mA	06220163R0	60
	100mA	RKP 1P+N C20A 100mA	06220164R0	60
	300mA	RKP 1P+N C20A 300mA	06220165R0	60
25A	30mA	RKP 1P+N C25A 30mA	06220167R0	60
	100mA	RKP 1P+N C25A 100mA	06220168R0	60
	300mA	RKP 1P+N C25A 300mA	06220169R0	60
32A	30mA	RKP 1P+N C32A 30mA	06220171R0	60
	100mA	RKP 1P+N C32A 100mA	06220172R0	60
	300mA	RKP 1P+N C32A 300mA	06220173R0	60

RKP D curve



In	I _{Δn}	Model	Catalog No.	Pack. unit (Pcs.)
3A	30mA	RKP 1P+N D3A 30mA	06220175R0	60
	100mA	RKP 1P+N D3A 100mA	06220176R0	60
	300mA	RKP 1P+N D3A 300mA	06220177R0	60
6A	30mA	RKP 1P+N D6A 30mA	06220179R0	60
	100mA	RKP 1P+N D6A 100mA	06220180R0	60
	300mA	RKP 1P+N D6A 300mA	06220181R0	60
10A	30mA	RKP 1P+N D10A 30mA	06220183R0	60
	100mA	RKP 1P+N D10A 100mA	06220184R0	60
	300mA	RKP 1P+N D10A 300mA	06220185R0	60
16A	30mA	RKP 1P+N D16A 30mA	06220187R0	60
	100mA	RKP 1P+N D16A 100mA	06220188R0	60
	300mA	RKP 1P+N D16A 300mA	06220189R0	60
20A	30mA	RKP 1P+N D10A 30mA	06220191R0	60
	100mA	RKP 1P+N D10A 100mA	06220192R0	60
	300mA	RKP 1P+N D10A 300mA	06220193R0	60
25A	30mA	RKP 1P+N D25A 30mA	06220195R0	60
	100mA	RKP 1P+N D25A 100mA	06220196R0	60
	300mA	RKP 1P+N D25A 300mA	06220197R0	60
32A	30mA	RKP 1P+N D32A 30mA	06220199R0	60
	100mA	RKP 1P+N D32A 100mA	06220200R0	60
	300mA	RKP 1P+N D32A 300mA	06220201R0	60

Residual current circuit breakers with overcurrent protection

DIN rail mounting

RKS type



RKS 1+N

Certificate
CE

Technical data

Standard	Confirming to IEC 61009	
Approval	SEMKO CB, CE, SABS	
Protection	Ground fault and overcurrent	
Rated current I_n	6, 10, 16, 20, 25, 32A	
Rated voltage	230VAC	
Breaking capacity	10kA	
Characteristic	B, C Curve	
Rated residual operating current	30,100mA	
Number of poles	1P+N	
Type of trip	Ground fault	Electronic
	Overcurrent	Thermal-magnetic
Terminal	Lug type (Cables up to 10mm ²)	
Mount	35mm DIN rail	
Width	18mm	
Electrical endurance	4,000 operations	

Catalog No.

RKS B Curve

In	I _{Δn}	Model	Catalog No.	Pack. unit (Pcs.)
6A	30mA	RKS 1P+N B6A 30mA	06220395R0	50
	100mA	RKS 1P+N B6A 100mA	06220396R0	50
10A	30mA	RKS 1P+N B10A 30mA	06220397R0	50
	100mA	RKS 1P+N B10A 100mA	06220398R0	50
16A	30mA	RKS 1P+N B16A 30mA	06220399R0	50
	100mA	RKS 1P+N B16A 100mA	06220400R0	50
20A	30mA	RKS 1P+N B20A 30mA	06220401R0	50
	100mA	RKS 1P+N B20A 100mA	06220402R0	50
25A	30mA	RKS 1P+N B25A 30mA	06220403R0	50
	100mA	RKS 1P+N B25A 100mA	06220404R0	50
32A	30mA	RKS 1P+N B32A 30mA	06220405R0	50
	100mA	RKS 1P+N B32A 100mA	06220406R0	50

RKS C Curve

In	I _{Δn}	Model	Catalog No.	Pack. unit (Pcs.)
6A	30mA	RKS 1P+N C6A 30mA	06220407R0	50
	100mA	RKS 1P+N C6A 100mA	06220408R0	50
10A	30mA	RKS 1P+N C10A 30mA	06220409R0	50
	100mA	RKS 1P+N C10A 100mA	06220410R0	50
16A	30mA	RKS 1P+N C16A 30mA	06220411R0	50
	100mA	RKS 1P+N C16A 100mA	06220412R0	50
20A	30mA	RKS 1P+N C20A 30mA	06220413R0	50
	100mA	RKS 1P+N C20A 100mA	06220414R0	50
25A	30mA	RKS 1P+N C25A 30mA	06220415R0	50
	100mA	RKS 1P+N C25A 100mA	06220416R0	50
32A	30mA	RKS 1P+N C32A 30mA	06220417R0	50
	100mA	RKS 1P+N C32A 100mA	06220418R0	50



RKS-b 1+N

Certificate
CE

Technical data

Standard	Confirming to IEC 61009	
Approval	SEMKO CB, CE	
Protection	Ground fault and overcurrent	
Rated current In	6, 10, 16, 20, 25, 32, 40, 50A	
Rated voltage	240VAC	
Breaking capacity	10kA	
Characteristic	B, C Curve	
Rated residual operating current	30,100mA	
Number of poles	1P+N	
Type of trip	Ground fault	Electronic
	Overcurrent	Thermal-magnetic
Terminal	Lug type (Cables up to 10mm ²)	
Mount	35mm DIN rail	
Width	18mm	
Electrical endurance	4,000 operations	

Catalog No.

RKS B Curve

In	I _{Δn}	Model	Catalog No.	Pack. unit (Pcs.)
6A	30mA	RKS-b 1P+N C6A 30mA	06220615R0	50
	100mA	RKS-b 1P+N C6A 100mA	06220616R0	50
10A	30mA	RKS-b 1P+N C10A 30mA	06220617R0	50
	100mA	RKS-b 1P+N C10A 100mA	06220618R0	50
16A	30mA	RKS-b 1P+N C16A 30mA	06220619R0	50
	100mA	RKS-b 1P+N C16A 100mA	06220620R0	50
20A	30mA	RKS-b 1P+N C20A 30mA	06220621R0	50
	100mA	RKS-b 1P+N C20A 100mA	06220622R0	50
25A	30mA	RKS-b 1P+N C25A 30mA	06220623R0	50
	100mA	RKS-b 1P+N C25A 100mA	06220624R0	50
32A	30mA	RKS-b 1P+N C32A 30mA	06220625R0	50
	100mA	RKS-b 1P+N C32A 100mA	06220626R0	50
40A	30mA	RKS-b 1P+N C40A 30mA	06220627R0	50
	100mA	RKS-b 1P+N C40A 100mA	06220628R0	50
50A	30mA	RKS-b 1P+N C50A 30mA	06220629R0	50
	100mA	RKS-b 1P+N C50A 100mA	06220630R0	50

RKS C Curve

In	I _{Δn}	Model	Catalog No.	Pack. unit (Pcs.)
6A	30mA	RKS-b 1P+N C6A 30mA	06220647R0	50
	100mA	RKS-b 1P+N C6A 100mA	06220648R0	50
10A	30mA	RKS-b 1P+N C10A 30mA	06220649R0	50
	100mA	RKS-b 1P+N C10A 100mA	06220650R0	50
16A	30mA	RKS-b 1P+N C16A 30mA	06220651R0	50
	100mA	RKS-b 1P+N C16A 100mA	06220652R0	50
20A	30mA	RKS-b 1P+N C20A 30mA	06220653R0	50
	100mA	RKS-b 1P+N C20A 100mA	06220654R0	50
25A	30mA	RKS-b 1P+N C25A 30mA	06220655R0	50
	100mA	RKS-b 1P+N C25A 100mA	06220656R0	50
32A	30mA	RKS-b 1P+N C32A 30mA	06220657R0	50
	100mA	RKS-b 1P+N C32A 100mA	06220658R0	50
40A	30mA	RKS-b 1P+N C40A 30mA	06220659R0	50
	100mA	RKS-b 1P+N C40A 100mA	06220660R0	50
50A	30mA	RKS-b 1P+N C50A 30mA	06220661R0	50
	100mA	RKS-b 1P+N C50A 100mA	06220662R0	50

Residual current circuit breakers with overcurrent protection

DIN rail mounting

RKC type



RKC 1+N

Certificate
CE

Technical data

Standard	Confirming to IEC 61009	
Approval	BV CB	
Protection	Ground fault and overcurrent	
Rated current I_n	6, 10, 16, 20, 25, 32A	
Rated voltage	240VAC	
Breaking capacity	6kA (32A 4.5kA)	
Characteristic	B, C Curve	
Rated residual operating current	10, 30mA	
Number of poles	1P+N	
Type of trip	Ground fault	Electronic
	Overcurrent	Thermal-magnetic
Terminal	Lug type (Cables up to 10mm ²)	
Mount	35mm DIN rail	
Width	18mm	
Electrical endurance	4,000 operations	

Catalog No.

RKC B Curve AC Type New ROGY

In	I _{Δn}	Model	Catalog No.	Pack. unit (Pcs.)
6A	10mA	RKC 1P+N B6A 10mA 6kA	06221020R0	12
	30mA	RKC 1P+N B6A 30mA 6kA	06221026R0	12
10A	10mA	RKC 1P+N B10A 10mA 6kA	06221021R0	12
	30mA	RKC 1P+N B10A 30mA 6kA	06221027R0	12
16A	10mA	RKC 1P+N B16A 10mA 6kA	06221022R0	12
	30mA	RKC 1P+N B16A 30mA 6kA	06221028R0	12
20A	10mA	RKC 1P+N B20A 10mA 6kA	06221023R0	12
	30mA	RKC 1P+N B20A 30mA 6kA	06221029R0	12
25A	10mA	RKC 1P+N B25A 10mA 6kA	06221024R0	12
	30mA	RKC 1P+N B25A 30mA 6kA	06221030R0	12
32A	10mA	RKC 1P+N B32A 10mA 4.5kA	06221025R0	12
	30mA	RKC 1P+N B32A 30mA 4.5kA	06221031R0	12

RKC C Curve AC Type New ROGY

In	I _{Δn}	Model	Catalog No.	Pack. unit (Pcs.)
6A	10mA	RKC 1P+N C6A 10mA 6kA	06221032R0	12
	30mA	RKC 1P+N C6A 30mA 6kA	06221038R0	12
10A	10mA	RKC 1P+N C10A 10mA 6kA	06221033R0	12
	30mA	RKC 1P+N C10A 30mA 6kA	06221039R0	12
16A	10mA	RKC 1P+N C16A 10mA 6kA	06221034R0	12
	30mA	RKC 1P+N C16A 30mA 6kA	06221040R0	12
20A	10mA	RKC 1P+N C20A 10mA 6kA	06221035R0	12
	30mA	RKC 1P+N C20A 30mA 6kA	06221041R0	12
25A	10mA	RKC 1P+N C25A 10mA 6kA	06221036R0	12
	30mA	RKC 1P+N C25A 30mA 6kA	06221042R0	12
32A	10mA	RKC 1P+N C32A 10mA 4.5kA	06221037R0	12
	30mA	RKC 1P+N C32A 30mA 4.5kA	06221043R0	12

DIN rail mounting

RKC type



RKC 1+N

Certificate
CE

Catalog No.

RKC B Curve A Type New ROGY

In	I _{Δn}	Model	Catalog No.	Pack. unit (Pcs.)
6A	10mA	RKC 1P+N B6A 10mA 6kA	06221044R0	12
	30mA	RKC 1P+N B6A 30mA 6kA	06221050R0	12
10A	10mA	RKC 1P+N B10A 10mA 6kA	06221045R0	12
	30mA	RKC 1P+N B10A 30mA 6kA	06221051R0	12
16A	10mA	RKC 1P+N B16A 10mA 6kA	06221046R0	12
	30mA	RKC 1P+N B16A 30mA 6kA	06221052R0	12
20A	10mA	RKC 1P+N B20A 10mA 6kA	06221047R0	12
	30mA	RKC 1P+N B20A 30mA 6kA	06221053R0	12
25A	10mA	RKC 1P+N B25A 10mA 6kA	06221048R0	12
	30mA	RKC 1P+N B25A 30mA 6kA	06221054R0	12
32A	10mA	RKC 1P+N B32A 10mA 4.5kA	06221049R0	12
	30mA	RKC 1P+N B32A 30mA 4.5kA	06221055R0	12

RKC C Curve A Type New ROGY

In	I _{Δn}	Model	Catalog No.	Pack. unit (Pcs.)
6A	10mA	RKC 1P+N C6A 10mA 6kA	06221056R0	12
	30mA	RKC 1P+N C6A 30mA 6kA	06221062R0	12
10A	10mA	RKC 1P+N C10A 10mA 6kA	06221057R0	12
	30mA	RKC 1P+N C10A 30mA 6kA	06221063R0	12
16A	10mA	RKC 1P+N C16A 10mA 6kA	06221058R0	12
	30mA	RKC 1P+N C16A 30mA 6kA	06221064R0	12
20A	10mA	RKC 1P+N C20A 10mA 6kA	06221059R0	12
	30mA	RKC 1P+N C20A 30mA 6kA	06221065R0	12
25A	10mA	RKC 1P+N C25A 10mA 6kA	06221060R0	12
	30mA	RKC 1P+N C25A 30mA 6kA	06221066R0	12
32A	10mA	RKC 1P+N C32A 10mA 4.5kA	06221061R0	12
	30mA	RKC 1P+N C32A 30mA 4.5kA	06221067R0	12

Residual current circuit breakers with overcurrent protection

DIN rail & Screw type

KGR type



32KGRc/d

Certificate
CE

Technical data

Type	32KGRc	32KGRd
Protection	Ground fault and overcurrent	
Rated current, I _n	15, 20, 30A	
Rated residual current		
Operating, I _{Δn}	15, 30mA (non-adjustable)	
Non-operating, I _{Δno}	0.5I _{Δn}	
Number of poles	2pole	
Rated voltage	110/220VAC	
Residual current off-time	≤ 0.03 sec.	
Standard	IEC 61009, KS	
Approval	CCC CB	
Type of trip		
Ground fault	Electronic	
Overcurrent	Bimetallic	
Breaking capacity	1.5kA	2.5kA
Electrical endurance	4,000 operations	
Mount	On 35mm DIN rail	
Width	35mm	
Terminal	Screw clamp type (cable up to 25mm ²)	

Catalog No.

32KGRc Type

In	I _{Δn}	Model	Catalog No.	Pack. unit (Pcs.)
15A	15mA	32KGRc 15A 15mA 0.03S	0750000400	60
	30mA	32KGRc 15A 30mA 0.03S	0750000100	60
20A	15mA	32KGRc 20A 15mA 0.03S	0750000500	60
	30mA	32KGRc 20A 30mA 0.03S	0750000200	60
30A	15mA	32KGRc 30A 15mA 0.03S	0750000600	60
	30mA	32KGRc 30A 30mA 0.03S	0750000300	60

32KGRd Type

In	I _{Δn}	Model	Catalog No.	Pack. unit (Pcs.)
15A	15mA	32KGRd 15A 15mA 0.03S	0748001000	60
	30mA	32KGRd 15A 30mA 0.03S	0748001100	60
20A	15mA	32KGRd 20A 15mA 0.03S	0748001200	60
	30mA	32KGRd 20A 30mA 0.03S	0748001300	60
30A	15mA	32KGRd 30A 15mA 0.03S	0748001400	60
	30mA	32KGRd 30A 30mA 0.03S	0748001500	60

Residual current circuit breakers

DIN rail & Screw type

CE

GRh type



32GRhc/d

Certificate

CE

Technical data

Type	32GRhc	32GRhd
Protection	Ground fault and overcurrent	
Rated current, I _n	15, 20, 30A	
Rated residual current		
Operating, I _{Δn}	15, 30mA (non-adjustable)	
Non-operating, I _{Δno}	0.5I _{Δn}	
Number of poles	2pole	
Rated voltage	110/220VAC	
Residual current off-time	≤ 0.03 sec.	
Standard	KS	
Type of trip		
Ground fault	Electronic	
Overcurrent	Bimetallic	
Breaking capacity	1.5kA	2.5kA
Electrical endurance	4,000 operations	
Mount	On 35mm DIN rail	
Width	35mm	
Terminal	Screw clamp type (cable up to 25mm ²)	

Residual current circuit breakers with overcurrent protection

DIN rail & Screw type

BS type



BS32c/d

Certificate
CE

Technical data

Type	BS32c	BS32d
Protection	Ground fault and overcurrent	
Rated current, I _n	6, 10, 15, 20, 30A	10, 15, 20, 30A
Rated residual current		
Operating, I _{Δn}	15, 30mA (non-adjustable)	
Non-operating, I _{Δno}	0.5I _{Δn}	
Number of poles	2pole	
Rated voltage	110/220VAC	
Residual current off-time	≤ 0.03 sec.	
Standard	IEC 60898, KS	
Approval	CCC CB	
Type of trip		
Ground fault	Electronic	
Overcurrent	Bimetallic	
Breaking capacity	1.5kA	2.5kA
Electrical endurance	4,000 operations	
Mount	On 35mm DIN rail	
Width	35mm	
Terminal	Screw clamp type (cable up to 25mm ²)	

Residual current circuit breakers

DIN rail mounting



RKN type



Certificate
CE

Technical data

Standard	Confirming to IEC61008	
Protection	Ground fault	
Rated current, I_n	25, 32, 40, 63A	
Number of poles	2(1+N), 4(3+N)pole	
Rated sensitivity currents, $I_{\Delta n}$	30, 100, 300mA	
Rated residual non-operating current	$0.5 \times I_{\Delta n}$	
Rated voltages	2pole	240VAC
	4pole	240/415VAC
Residual current off-time at $I_{\Delta n}$	$\leq 0.1s$	
Rated making capacity, I_m	500A for $I_n=25, 32, 40A$	
	630A for $I_n=63A$	
Rated conditional short-circuit current, I_{nc}	6kA for $I_n=25, 32, 40, 63A$	
Type of trip	Electro-magnetic	
Type of terminal	Lug type	
Terminal capacity	Cables up to 35mm ²	
Installation	35mm DIN rail	
Type of operation	A/AC	
Slot size	45mm	

Catalog No.

Pole	I_n	$I_{\Delta n}$	Model	Catalog No.	Pack.unit (Pcs.)
1P+N	25A	30mA	RKN 1P+N 25A 30mA	06220103R0	60
			RKN 1P+N 32A 30mA	06220106R0	60
			RKN 1P+N 40A 30mA	06220109R0	60
			RKN 1P+N 63A 30mA	06220112R0	60
	32A	100mA	RKN 1P+N 25A 100mA	06220104R0	60
			RKN 1P+N 32A 100mA	06220107R0	60
			RKN 1P+N 40A 100mA	06220110R0	60
			RKN 1P+N 63A 100mA	06220113R0	60
	40A	300mA	RKN 1P+N 25A 300mA	06220105R0	60
			RKN 1P+N 32A 300mA	06220108R0	60
			RKN 1P+N 40A 300mA	06220111R0	60
			RKN 1P+N 63A 300mA	06220114R0	60
3P+N	25A	30mA	RKN 3P+N 25A 30mA	06240013R0	30
			RKN 3P+N 32A 30mA	06240016R0	30
			RKN 3P+N 40A 30mA	06240019R0	30
			RKN 3P+N 63A 30mA	06240022R0	30
	32A	100mA	RKN 3P+N 25A 100mA	06240014R0	30
			RKN 3P+N 32A 100mA	06240017R0	30
			RKN 3P+N 40A 100mA	06240020R0	30
			RKN 3P+N 63A 100mA	06240023R0	30
	40A	300mA	RKN 3P+N 25A 300mA	06240015R0	30
			RKN 3P+N 32A 300mA	06240018R0	30
			RKN 3P+N 40A 300mA	06240021R0	30
			RKN 3P+N 63A 300mA	06240024R0	30

Residual current circuit breakers

DIN rail mounting



RKN type

Catalog No.

A type

Pole	In	I _{Δn}	Model	Catalog No.	Pack.unit (Pcs.)
1P+N	25A	30mA	RKN 1P+N 25A 30mA A type	06220444R0	60
	32A		RKN 1P+N 32A 30mA A type	06220447R0	60
	40A		RKN 1P+N 40A 30mA A type	06220450R0	60
	63A		RKN 1P+N 63A 30mA A type	06220453R0	60
	25A	100mA	RKN 1P+N 25A 100mA A type	06220445R0	60
	32A		RKN 1P+N 32A 100mA A type	06220448R0	60
	40A		RKN 1P+N 40A 100mA A type	06220451R0	60
	63A		RKN 1P+N 63A 100mA A type	06220454R0	60
	25A	300mA	RKN 1P+N 25A 300mA A type	06220446R0	60
	32A		RKN 1P+N 32A 300mA A type	06220449R0	60
	40A		RKN 1P+N 40A 300mA A type	06220452R0	60
	63A		RKN 1P+N 63A 300mA A type	06220455R0	60

Pole	In	I _{Δn}	Model	Catalog No.	Pack.unit (Pcs.)
3P+N	25A	30mA	RKN 3P+N 25A 30mA A type	06220456R0	30
	32A		RKN 3P+N 32A 30mA A type	06220459R0	30
	40A		RKN 3P+N 40A 30mA A type	06220462R0	30
	63A		RKN 3P+N 63A 30mA A type	06220465R0	30
	25A	100mA	RKN 3P+N 25A 100mA A type	06220457R0	30
	32A		RKN 3P+N 32A 100mA A type	06220460R0	30
	40A		RKN 3P+N 40A 100mA A type	06220463R0	30
	63A		RKN 3P+N 63A 100mA A type	06220466R0	30
	25A	300mA	RKN 3P+N 25A 300mA A type	06220458R0	30
	32A		RKN 3P+N 32A 300mA A type	06220461R0	30
	40A		RKN 3P+N 40A 300mA A type	06220464R0	30
	63A		RKN 3P+N 63A 300mA A type	06220467R0	30

RKN-b type



Certificate
CE

Technical data

Standard	Confirming to IEC61008	
Protection	Ground fault	
Rated current, I_n	63AF: 25, 40, 63A	100AF: 80, 100A
Number of poles	2(1+N), 4(3+N)pole	
Rated sensitivity currents, $I_{\Delta n}$	30, 100, 300mA	
Rated residual non-operating current	$0.5 \times I_{\Delta n}$	
Rated voltages	2pole	240VAC
	4pole	240/415VAC
Residual current off-time at $I_{\Delta n}$	$\leq 0.1s$	
Rated making capacity, I_m	500A for $I_n=25, 32, 40A$	
	630A for $I_n=63A$	
	800A for $I_n=80A$	
	1000A for $I_n=100A$	
Rated conditional short-circuit current, I_{nc}	10kA for $I_n=25, 40, 63, 80, 100A$	
Type of trip	Electro-magnetic	
Type of terminal	Lug type	
Terminal capacity	Cables up to 35mm ²	
Installation	35mm DIN rail	
Type of operation	A/AC	
Slot size	45mm	

Catalog No.

Pole	I_n	$I_{\Delta n}$	Model	Catalog No.	Pack.unit (Pcs.)
1P+N	25A	30mA	RKN-b 1P+N 25A 30mA	06220663R0	60
			RKN-b 1P+N 40A 30mA	06220669R0	60
			RKN-b 1P+N 63A 30mA	06220672R0	60
			RKN-b 1P+N 80A 30mA	06220678R0	60
			RKN-b 1P+N 100A 30mA	06220681R0	60
	40A	100mA	RKN-b 1P+N 25A 100mA	06220664R0	60
			RKN-b 1P+N 40A 100mA	06220670R0	60
			RKN-b 1P+N 63A 100mA	06220673R0	60
			RKN-b 1P+N 80A 100mA	06220679R0	60
			RKN-b 1P+N 100A 100mA	06220682R0	60
63A	300mA	RKN-b 1P+N 25A 300mA	06220665R0	60	
		RKN-b 1P+N 40A 300mA	06220671R0	60	
		RKN-b 1P+N 63A 300mA	06220674R0	60	
		RKN-b 1P+N 80A 300mA	06220680R0	60	
		RKN-b 1P+N 100A 300mA	06220683R0	60	

Residual current circuit breakers

DIN rail mounting



RKN-b type

Catalog No.

Pole	In	$I_{\Delta n}$	Model	Catalog No.	Pack.unit (Pcs.)
3P+N	25A	30mA	RKN-b 3P+N 25A 100mA	06240095R0	30
	40A		RKN-b 3P+N 40A 100mA	06240101R0	30
	63A		RKN-b 3P+N 63A 100mA	06240104R0	30
	80A		RKN-b 3P+N 80A 100mA	06240110R0	30
	100A		RKN-b 3P+N 100A 100mA	06240113R0	30
	25A	100mA	RKN-b 3P+N 25A 300mA	06240096R0	30
	40A		RKN-b 3P+N 40A 300mA	06240102R0	30
	63A		RKN-b 3P+N 63A 300mA	06240105R0	30
	80A		RKN-b 3P+N 80A 300mA	06240111R0	30
	100A		RKN-b 3P+N 100A 300mA	06240114R0	30
	25A	300mA	RKN-b 3P+N 25A 300mA	06240096R0	30
	40A		RKN-b 3P+N 40A 300mA	06240102R0	30
	63A		RKN-b 3P+N 63A 300mA	06240105R0	30
	80A		RKN-b 3P+N 80A 300mA	06240111R0	30
	100A		RKN-b 3P+N 100A 300mA	06240114R0	30

A type

Pole	In	$I_{\Delta n}$	Model	Catalog No.	Pack.unit (Pcs.)
1P+N	25A	30mA	RKN-b 1P+N 25A 30mA A type	06220749R0	60
	40A		RKN-b 1P+N 40A 30mA A type	06220755R0	60
	63A		RKN-b 1P+N 63A 30mA A type	06220758R0	60
	25A	100mA	RKN-b 1P+N 25A 100mA A type	06220750R0	60
	40A		RKN-b 1P+N 40A 100mA A type	06220756R0	60
	63A		RKN-b 1P+N 63A 100mA A type	06220759R0	60
	25A	300mA	RKN-b 1P+N 25A 300mA A type	06220751R0	60
	40A		RKN-b 1P+N 40A 300mA A type	06220757R0	60
	63A		RKN-b 1P+N 63A 300mA A type	06220760R0	60
3P+N	25A	30mA	RKN-b 3P+N 25A 30mA A type	06240148R0	30
	40A		RKN-b 3P+N 40A 30mA A type	06240154R0	30
	63A		RKN-b 3P+N 63A 30mA A type	06240157R0	30
	25A	100mA	RKN-b 3P+N 25A 100mA A type	06240149R0	30
	40A		RKN-b 3P+N 40A 100mA A type	06240155R0	30
	63A		RKN-b 3P+N 63A 100mA A type	06240158R0	30
	25A	300mA	RKN-b 3P+N 25A 300mA A type	06240150R0	30
	40A		RKN-b 3P+N 40A 300mA A type	06240156R0	30
	63A		RKN-b 3P+N 63A 300mA A type	06240159R0	30

Isolator, BKD type



Technical data

Number of poles	1, 2, 3, 4pole	
Standard	IEC60947-3	
Rated currents	63, 80, 100, 125A	
Rated voltages	230/400VAC	
Electrical endurance	63, 80, 100A	1,500 operations
	125A	1,000 operations
Type of terminal	Lug type	
Terminal capacity	Cables up to 50mm ²	
Installation	Mounting on 35mm DIN rail	
Width	17.5mm per pole	

Certificate
CE

Catalog No.

Pole	In	Model	Catalog No.	Pack. unit (Pcs.)
1P	63A	BKD 1P 63A	06110083R0	120
	80A	BKD 1P 80A	06110084R0	120
	100A	BKD 1P 100A	06110085R0	120
	125A	BKD 1P 125A	06110114R0	120

Pole	In	Model	Catalog No.	Pack. unit (Pcs.)
2P	63A	BKD 2P 63A	06120247R0	60
	80A	BKD 2P 80A	06120248R0	60
	100A	BKD 2P 100A	06120249R0	60
	125A	BKD 2P 125A	06120306R0	60

Pole	In	Model	Catalog No.	Pack. unit (Pcs.)
3P	63A	BKD 3P 63A	06130063R0	40
	80A	BKD 3P 80A	06130064R0	40
	100A	BKD 3P 100A	06130065R0	40
	125A	BKD 3P 125A	06130094R0	40

Pole	In	Model	Catalog No.	Pack. unit (Pcs.)
4P	63A	BKD 4P 63A	06140130R0	30
	80A	BKD 4P 80A	06140131R0	30
	100A	BKD 4P 100A	06140132R0	30
	125A	BKD 4P 125A	06140187R0	30

Residential breakers

60mm depth miniature circuit breakers

BF type



BF-a, BF-c

Description

- Trip unit with a fixed thermal and fixed magnetic trip
- All operating mechanisms are of the quick-make, quick-break type and are "trip free"
- Two and three-pole breakers shall have common tripping of allpoles.
- Operating handle is "Trip to Off"
- Operating hand and face plate shall indicate rated ampacity.
- Thermal elements shall be calibrated to operate in a 40 °C ambient environment in standard.
- Electrical durability: 10, 000 operations at In
- Reference temperature: 40 °C
- Connection by clamp terminal
- Offering the same slot and depth size with the GB type MCCBs.
 - 60mm depth
 - 50mm slot

Technical data

Type		BF-a	BF-c
Rated current		10~100A	10~100A
Breaking capacity, Icu	240V	10kA	5kA
	415V	2.5kA (2, 3pole)	2.5kA (2, 3pole)
Rated insulation voltage		460VAC	
Number of poles		1, 2, 3pole	
Standard		IEC 60947-2	
Protection		Overload and short circuit	
Characteristic		See operating curves (p. 44)	
Type of trip		Thermal magnetic release	
Type of terminal		Clamp type	
Installation		Holder mounting (Bolt on with fixing brackets)	
Electrical endurance		1,500 operations	
Width		25mm per pole	
Slot		50mm	
Accessory		Not available	

BF type

Catalog No.

BF-a		10kA at 240VAC / 2.5kA at 415VAC										
1Pole				2Poles				3Pole				
In	Model	Catalog No.	Pack. unit PRICE (Pcs.)	Model	Catalog No.	Pack. unit PRICE (Pcs.)	Model	Catalog No.	Pack. unit PRICE (Pcs.)	Model	Catalog No.	Pack. unit PRICE (Pcs.)
10A	BF51a 10A	0607005100	60	BF52a 10A	0607006500	30	BF53a 10A	0607007900	20			
15A	BF51a 15A	0607005200	60	BF52a 15A	0607006600	30	BF53a 15A	0607008000	20			
20A	BF51a 20A	0607005300	60	BF52a 20A	0607006700	30	BF53a 20A	0607008100	20			
30A	BF51a 30A	0607005400	60	BF52a 30A	0607006800	30	BF53a 30A	0607008200	20			
40A	BF51a 40A	0607005500	60	BF52a 40A	0607006900	30	BF53a 40A	0607008300	20			
50A	BF51a 50A	0607005600	60	BF52a 50A	0607007000	30	BF53a 50A	0607008400	20			
60A	BF101a 60A	0608002100	60	BF102a 60A	0608002700	30	BF103a 60A	0608003300	20			
75A	BF101a 75A	0608002200	60	BF102a 75A	0608002800	30	BF103a 75A	0608003400	20			
100A	BF101a 100A	0608002300	60	BF102a 100A	0608002900	30	BF103a 100A	0608003500	20			
Weight/pc		0.11kg		0.23kg		0.35kg						

BF-c		For 5kA at 240VAC / 2.5kA at 415VAC										
1Pole				2Poles				3Pole				
In	Model	Catalog No.	Pack. unit PRICE (Pcs.)	Model	Catalog No.	Pack. unit PRICE (Pcs.)	Model	Catalog No.	Pack. unit PRICE (Pcs.)	Model	Catalog No.	Pack. unit PRICE (Pcs.)
10A	BF51c 10A	0607005800	60	BF52c 10A	0607007200	30	BF53c 10A	0607008600	20			
15A	BF51c 15A	0607005900	60	BF52c 15A	0607007300	30	BF53c 15A	0607008700	20			
20A	BF51c 20A	0607006000	60	BF52c 20A	0607007400	30	BF53c 20A	0607008800	20			
30A	BF51c 30A	0607006100	60	BF52c 30A	0607007500	30	BF53c 30A	0607008900	20			
40A	BF51c 40A	0607006200	60	BF52c 40A	0607007600	30	BF53c 40A	0607009000	20			
50A	BF51c 50A	0607006300	60	BF52c 50A	0607007700	30	BF53c 50A	0607009100	20			
60A	BF101c 60A	0608002400	60	BF102c 60A	0608003000	30	BF103c 60A	0608003600	20			
75A	BF101c 75A	0608002500	60	BF102c 75A	0608003100	30	BF103c 75A	0608003700	20			
100A	BF101c 100A	0608002600	60	BF102c 100A	0608003200	30	BF103c 100A	0608003800	20			
Weight/pc		0.11kg		0.23kg		0.35kg						

Standard busbars



Description

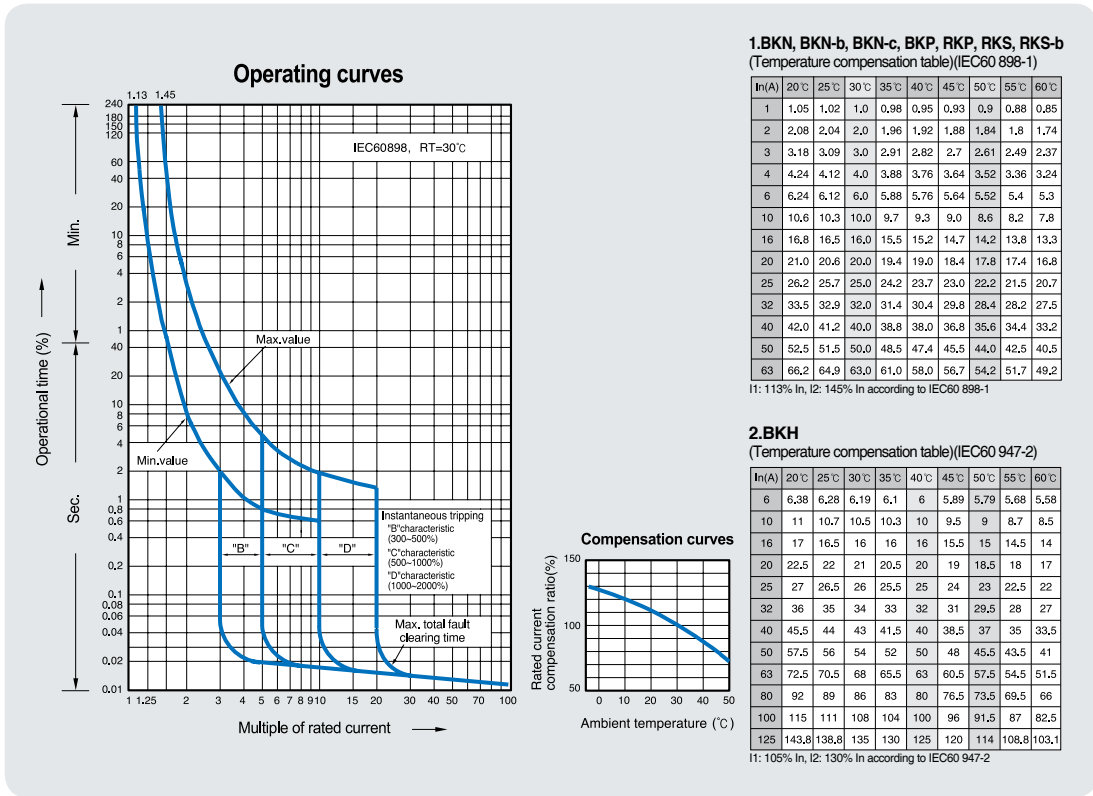
- Applicable to the 18mm wide module devices
- Rated Voltage: 415VAC
- Current rating: 63A
- Standard length: 1m

<p>Type BB101</p>	<p>For single pole device</p>
<p>Type BB102</p>	
<p>Type BB201</p>	<p>For 2-pole device</p>
<p>Type BB202</p>	
<p>Type BB301</p>	<p>For 3-pole device</p>
<p>Type BB302</p>	
<p>Type BB401</p>	<p>For 4-pole device</p>
<p>Type BB402</p>	

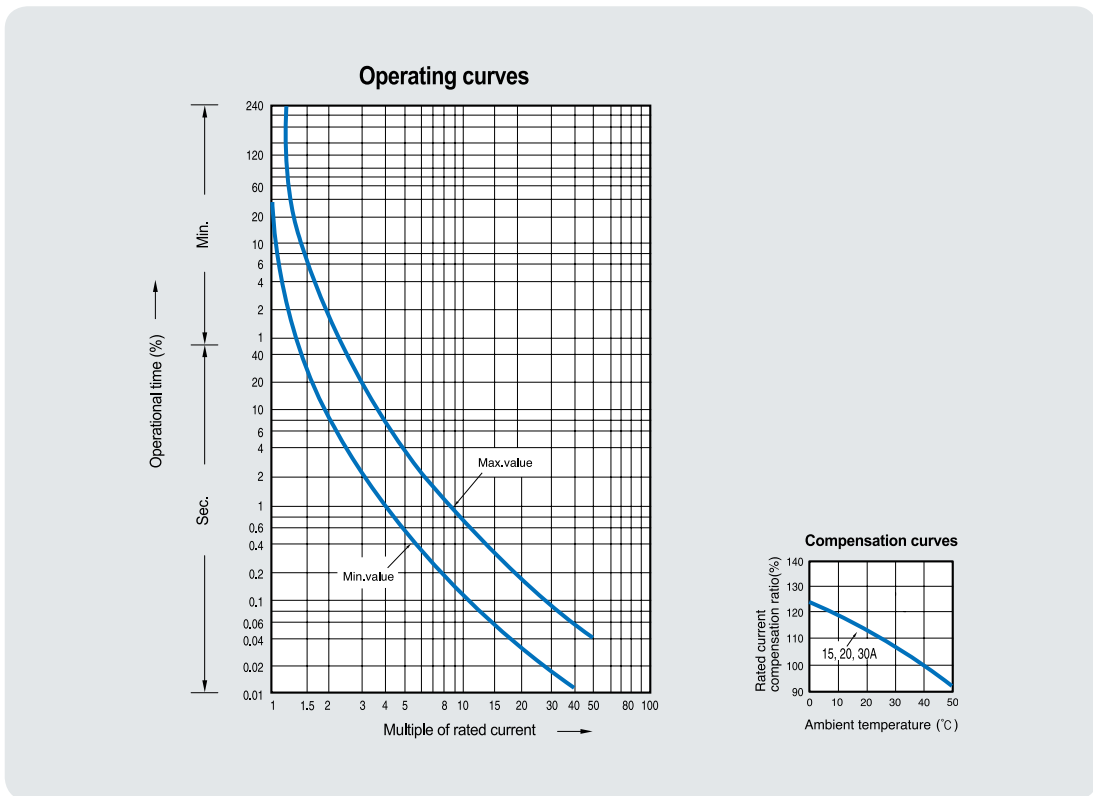
Model	Catalog No.
Busbar, Type BB101, BKN 1P	70211413001
Busbar, Type BB102, BKM 1P	70211413002
Busbar, Type BB201, BKN 2P	70211413003
Busbar, Type BB202, BKM 2P	70211413004
Busbar, Type BB301, BKN 3P	70211413005
Busbar, Type BB302, BKM 3P	70211413006
Busbar, Type BB401, BKN 4P	70211413007
Busbar, Type BB402, BKM 4P	70211413008

Characteristics curves & temperature compensation

- BKN
- BKN-b
- BKN-c
- BKH
- BKP
- RKP
- RKS
- RKS-b



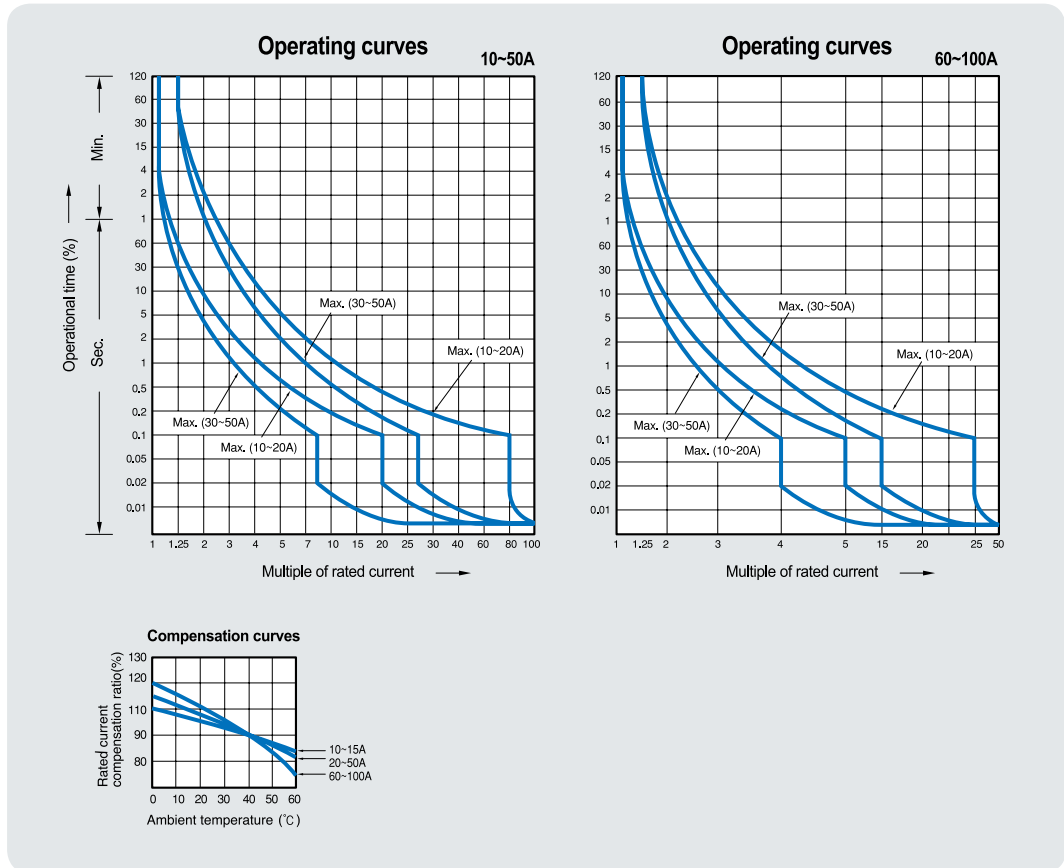
- 32KGRc
- 32KGRd



Characteristics curves & temperature compensation

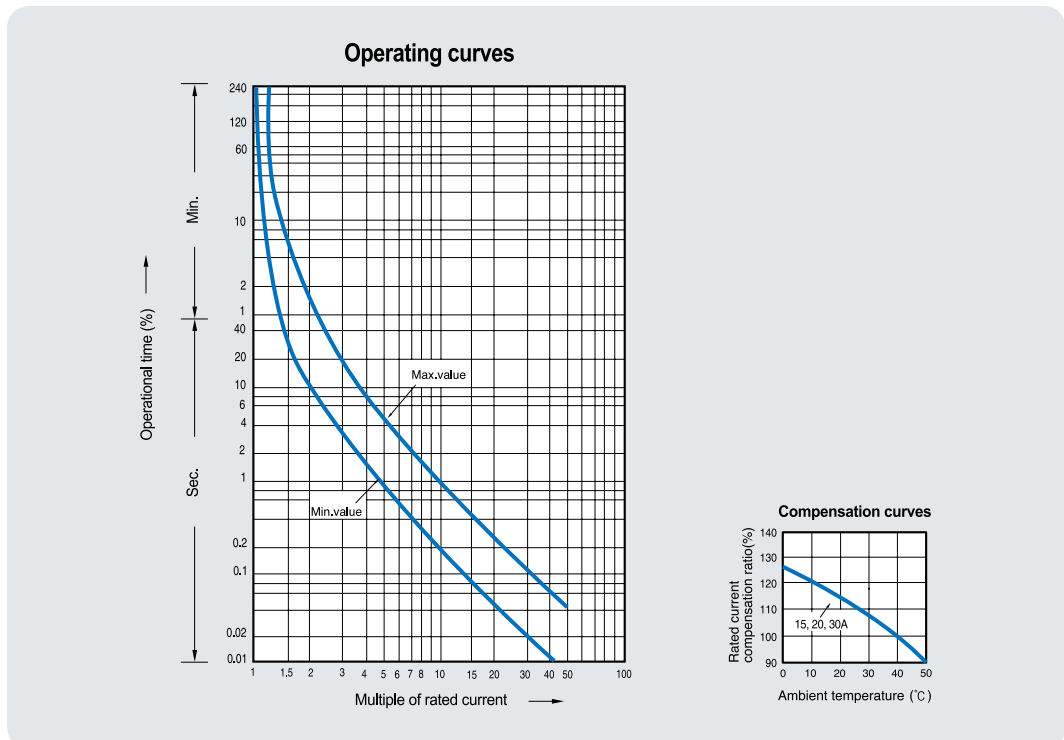
BF-a

BF-c



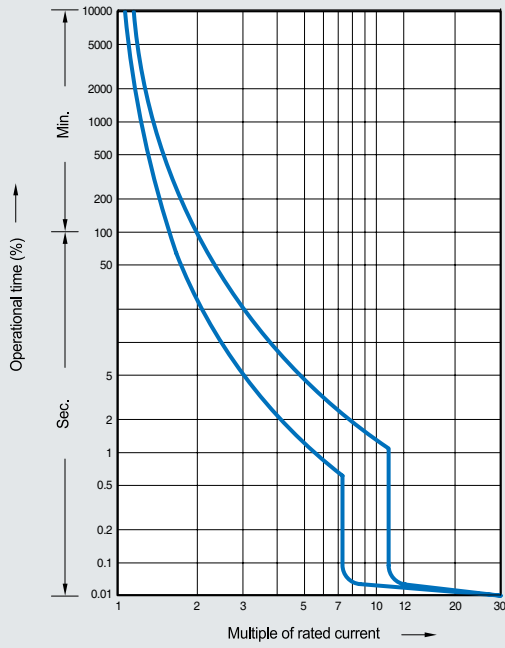
32GRhc

32GRhd

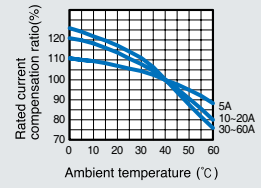


BFN

Operating curves

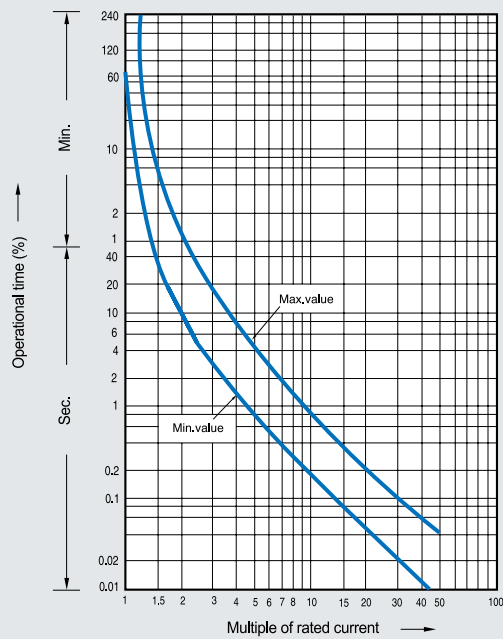


Temperature curve

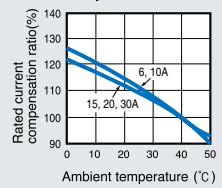


BS

Operating curves

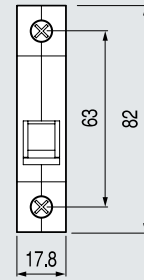
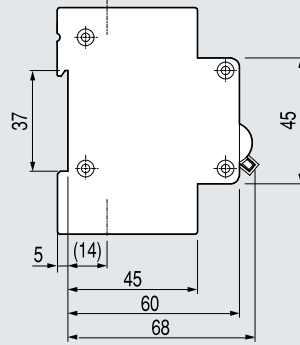


Compensation curves

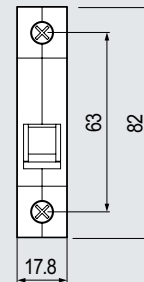
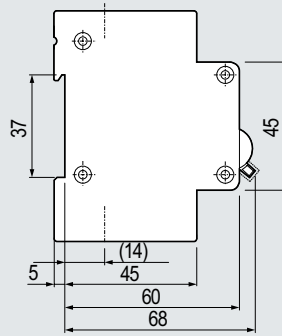


Overall dimensions

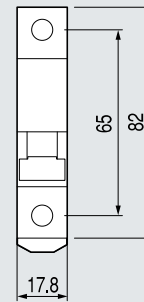
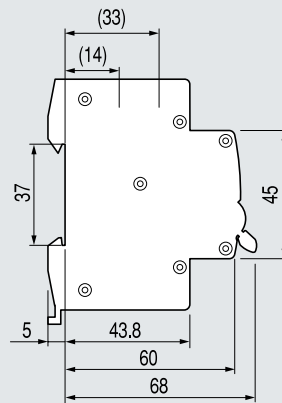
BKN



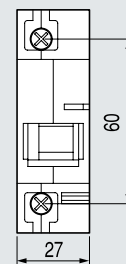
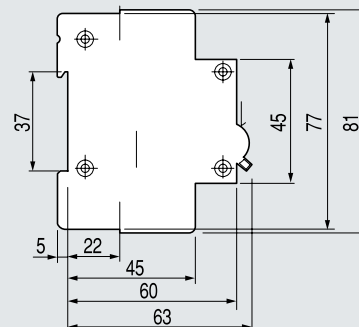
BKN-c



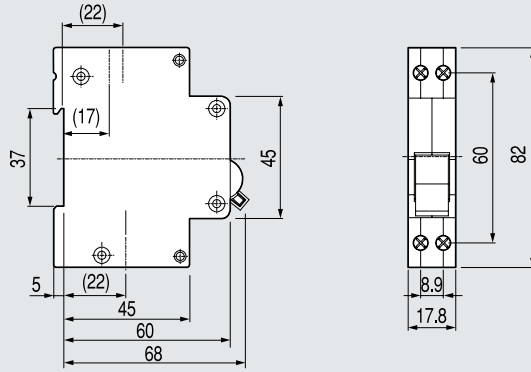
BKN-b



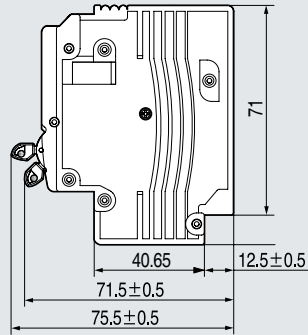
BKH



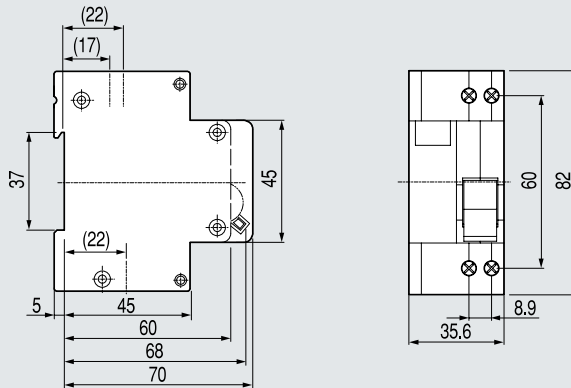
BKP



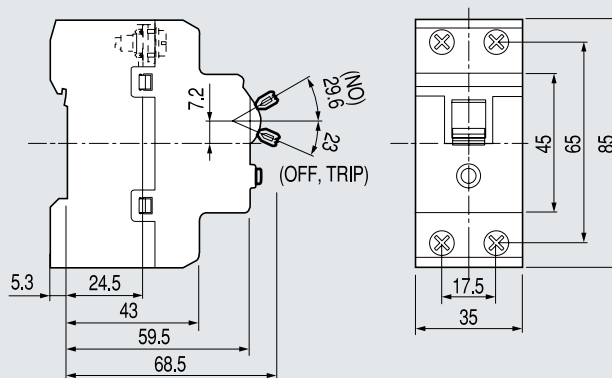
BFN



RKP



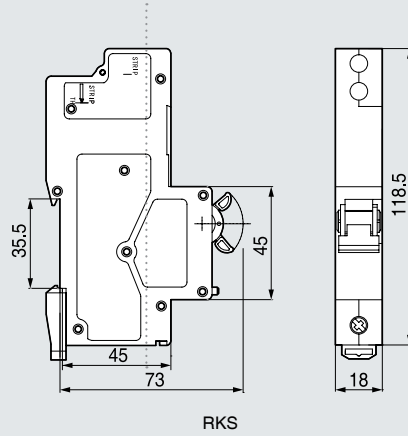
32KGRc/d



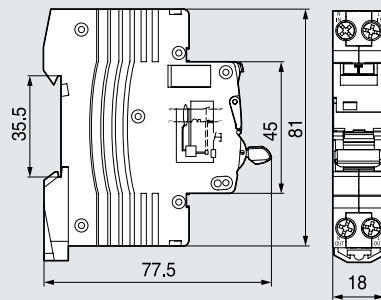
Overall dimensions

RKS

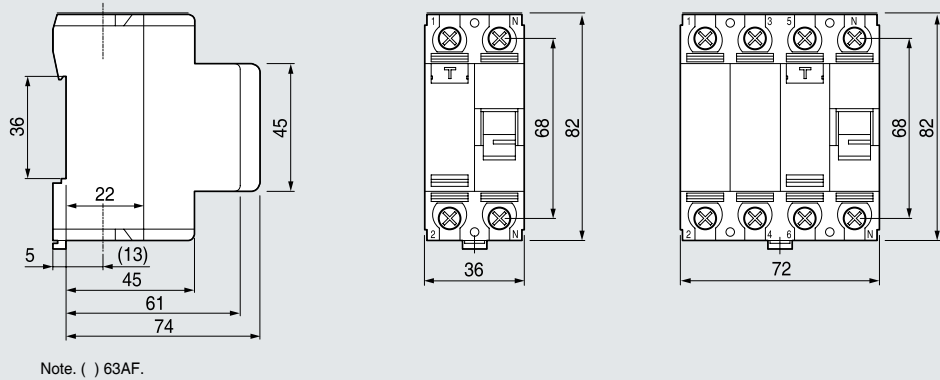
RKS-b



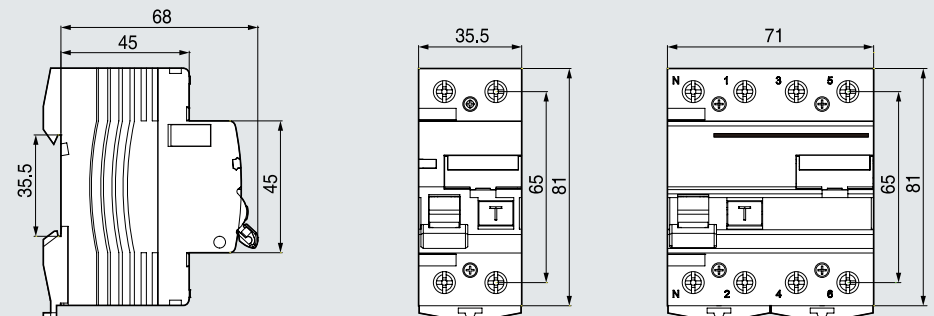
RKC



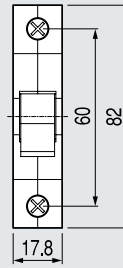
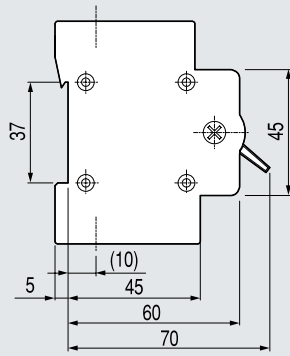
RKN



RKN-b

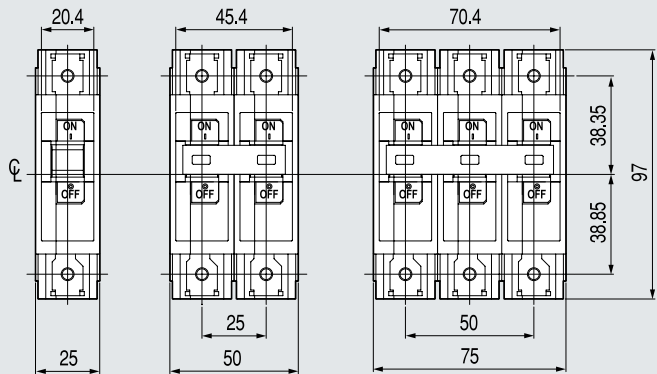
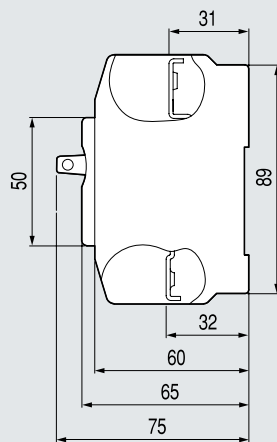


BKD

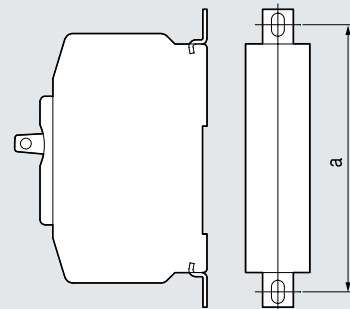
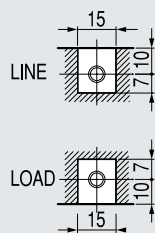


BF-a

BF-c



Detailed terminal

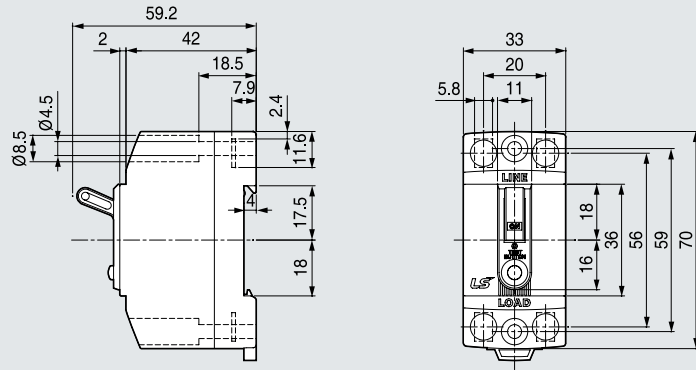


※ BFa, BFc same size (a=99~111mm)

Overall dimensions

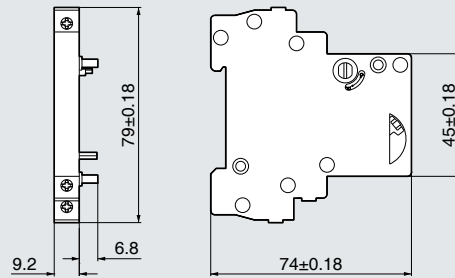
32GRhc/d

BS32c/d



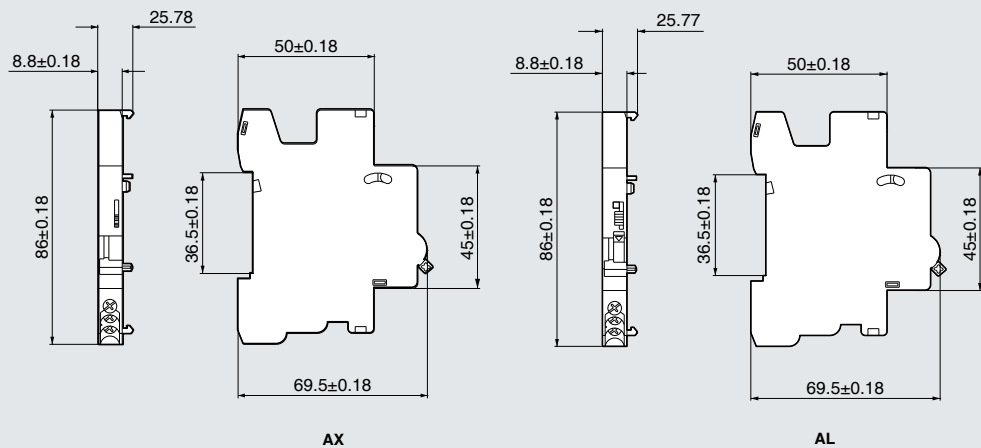
BKN

AX/AL



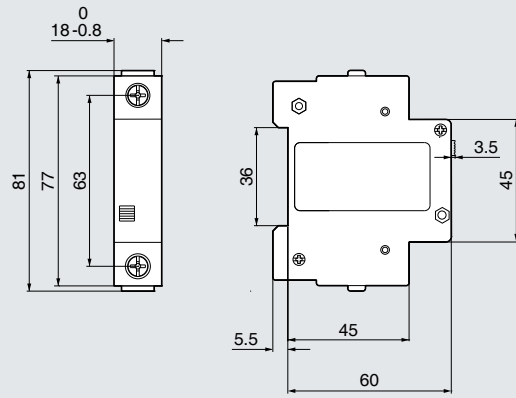
BKN-b

AX/AL



SHT

UVT/OVT



Internet information service

<http://eng.lsis.biz>



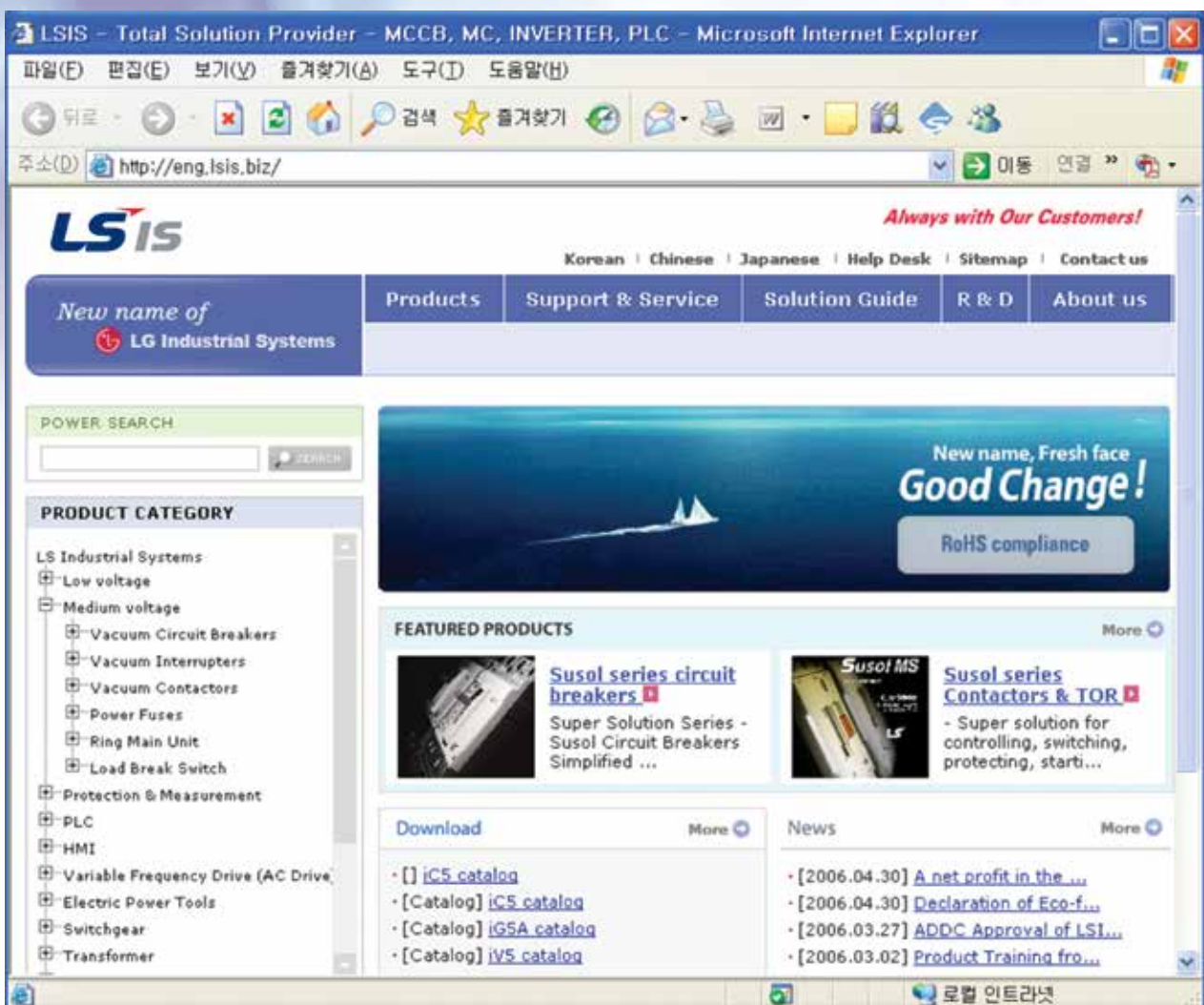
Should you require further information, please visit our English website (eng.lsis.biz).

You will find everything you need to know about products, systems and services.

To obtain the electronic catalogue,

please ask our authorized distributor in your country.

Or it is available on the internet (eng.lsis.biz).



Related site

LS CABLE Home page	www.lscable.com
LS Nikko Home page	www.lsnikko.com

Products menu

- Low voltage product
- Medium voltage product
- Protection & measurement
- Integrated protection & monitoring equipment
- PLC
- HMI
- Variable frequency device
- Electric power tools
- Switchgear
- Tranceformer
- High voltage product
- Process Automation
- ITS
- Railway system solution
- Photovoltaic system
- Tube & pipes



Support & service menu

- The latest catalogue and old editions are displayed and downloaded.



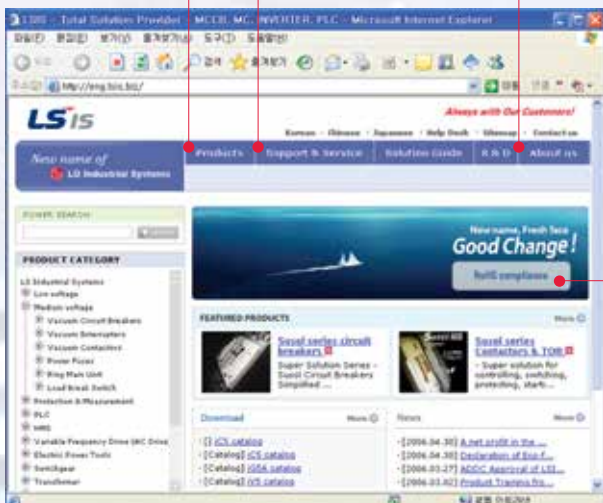
About us menu

- If you have a question, comment, suggestion please select this menu.



RoHS compliment menu

- RoHS :
Directive on the Restriction of Hazardous Substances in the Electronic Equipment.
(Effective on February 13,2003)



FUTURING SMART ENERGY



Safety Instructions

- For your safety, please read user's manual thoroughly before operating.
- Contact the nearest authorized service facility for examination, repair, or adjustment.
- Please contact qualified service technician when you need maintenance. Do not disassemble or repair by yourself!
- Any maintenance and inspection shall be performed by the personnel having expertise concerned.

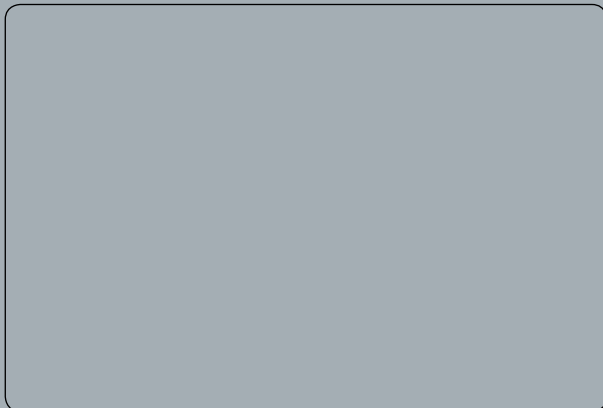


© 2004.8 LSIS Co.,Ltd. All rights reserved.

www.lsis.com

■ HEAD OFFICE

LS-ro 127 (Hogye-dong) Dongan-gu, Anyang-si,
Gyeonggi-Do Korea
Tel. 82-2-2034-4902, 4684, 4429
Fax. 82-2-2034-4555



Specifications in this catalog are subject to change without notice due to continuous product development and improvement.

■ GLOBAL NETWORK

Overseas Subsidiaries

- **LSIS USA Inc. > Chicago, America**
2000 Millbrook Drive, Lincolnshire, Chicago, IL 60069, United States of America
Tel: 1-847-941-8240 Fax: 1-847-941-8259 E-mail: seungheonc@lsis.com
- **LSIS (Middle East) FZE > Dubai, U.A.E.**
LOB 19-205, JAFZA View Tower, Jebel Ali Free Zone, Dubai, United Arab Emirates
Tel: 971-4-886-5360 Fax: 971-4-886-5361 E-mail: hschoib@lsis.com
- **LSIS Europe B.V. > Schiphol-Rijk, Netherlands**
1st Floor, Tupolevian 48, 1119NZ, Schiphol-Rijk, The Netherlands
Tel: 31-20-654-1420 Fax: 31-20-654-1429 E-mail: junshickp@lsis.com
- **LSIS Japan Co., Ltd. > Tokyo, Japan**
Tokyo Club Building 13F, 2-6, Kasumigaseki 3-chome, Chiyoda-ku, Tokyo, 100-0013
Tel: 81-3-6268-8241 Fax: 81-3-6268-8240 E-mail: jschuna@lsis.com
- **LSIS(Dalian) Co., Ltd. > Dalian, China**
No. 15, Liaoheji 3-Road, Economic and Technical Development Zone, Dalian 116600, China
Tel: 86-411-8273-7777 Fax: 86-411-8730-7560 E-mail: tangyh@lsis.com
- **LS IS(Wuxi) Co., Ltd. > WUXI, China**
102-A, National High & New Tech Industrial Development Area, Wuxi, Jiangsu, 214028, P.R.China
Tel: 86-510-8534-6666 Fax: 86-510-522-4078 E-mail: wangzy@lsis.com
- **LS-Vina Co., Ltd. > Hanoi, Vietnam**
Nguyen Khe, Dong Anh, Hanoi, Vietnam
Tel: 84-4-6275-8055 Fax: 84-4-3882-0220 E-mail: sjbaik@lsis.com

Overseas Branches

- **LSIS Co., Ltd. Rep. Office, Vietnam**
Gema Dept Tower 18F, 6 Le Thanh Ton, District 1, HCM, Vietnam
Tel: 84-8-3823-7890 E-mail: hwym@lsis.com
- **LSIS Moscow Office, Russia**
123610, Krasnopresnenskaya, nab, 12, building1, office No.1005, Moscow, Russia
Tel: 7-495-258-1466, 1467 Fax: 7-495-258-1466, 1467 E-mail: jdpark1@lsis.com