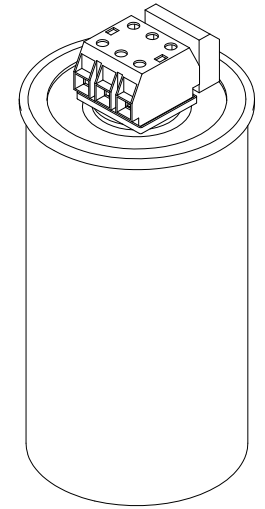
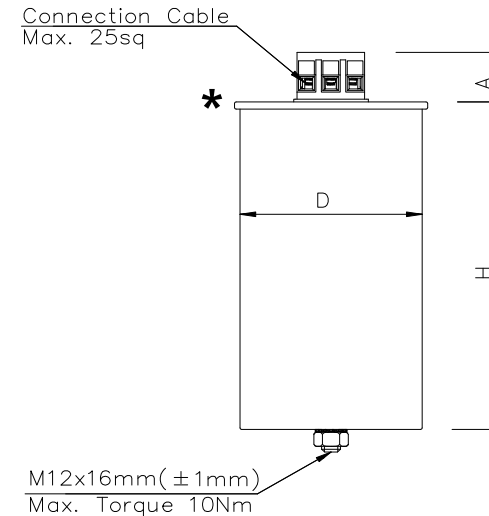
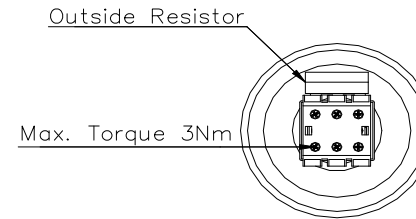
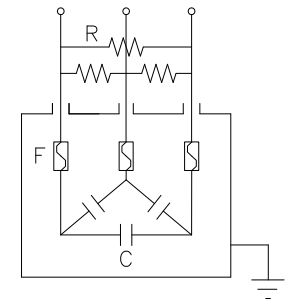


# Technical data sheet : LOW VOLTAGE POWER CAPACITOR (DRY)

Type	RMC - 4450500KT
Dielectric	MPP - film
Safety	Self Healing / Overpressure Disconnecter
Installation	Indoor
Impregnation	EPOXY
CASE	Aluminum (No painted)
Terminals	Clamp type (Max. Torque 3Nm)
Standard	IEC 60831
Ambient temperature	-25°C ~ +55°C
(Average ambient temperature for a period of 24hours: below +45°C, 1year: below+35°C)	
Altitude	< 2000m
Rated Voltage	440V
Phase	3Φ
Rated Frequency	50Hz
Rated Capacity	50kvar
Rated Capacitance	822.1μF
Rated Current	65.6A
Capacitance Tolerance	-5% ~ +10%
Losses (dielectric)	≤ 0.2W/kvar
Losses (total)	≤ 0.5W/kvar (Without Discharge Resistor)
Discharging Resistor time	75V / 3min



CONNECTION




R : RESISTOR  
C : CAPACITOR  
F : SAFETY DEVICE

Dimension(mm)			Weight
D±3	H±3	A±5	(approx kg)
136	305	40	5.5

\* Consider 5.5mm seaming dimension when installing capacitor

△ x				
△ x				
△ *				
SIMBOL	ITEM	REASON	DATE	CHECK


**SAMWHA CAPACITOR CO.,LTD.**  
[Http://www.samwha.co.kr/fc](http://www.samwha.co.kr/fc) Tel: +82 31 330 5817  
 227, Gyeonggidongro, Namsa - myeun, Cheoin - Gu, Yongin - City,  
 Kyungki - Do, Korea (Zip code : 17118)

LOW VOLTAGE POWER CAPACITOR			SCALE	N/S	DIM	mm
(440V 3Φ 50Hz 50kvar)			DATE	Feb, 05, 2020		
DESIGN	CHECKED	APPROVAL	SPEC NO	PM - 3772		
J.H.CHO	Y.J.KIM	S.S.CHO	DRAW NO	KM - 3772		